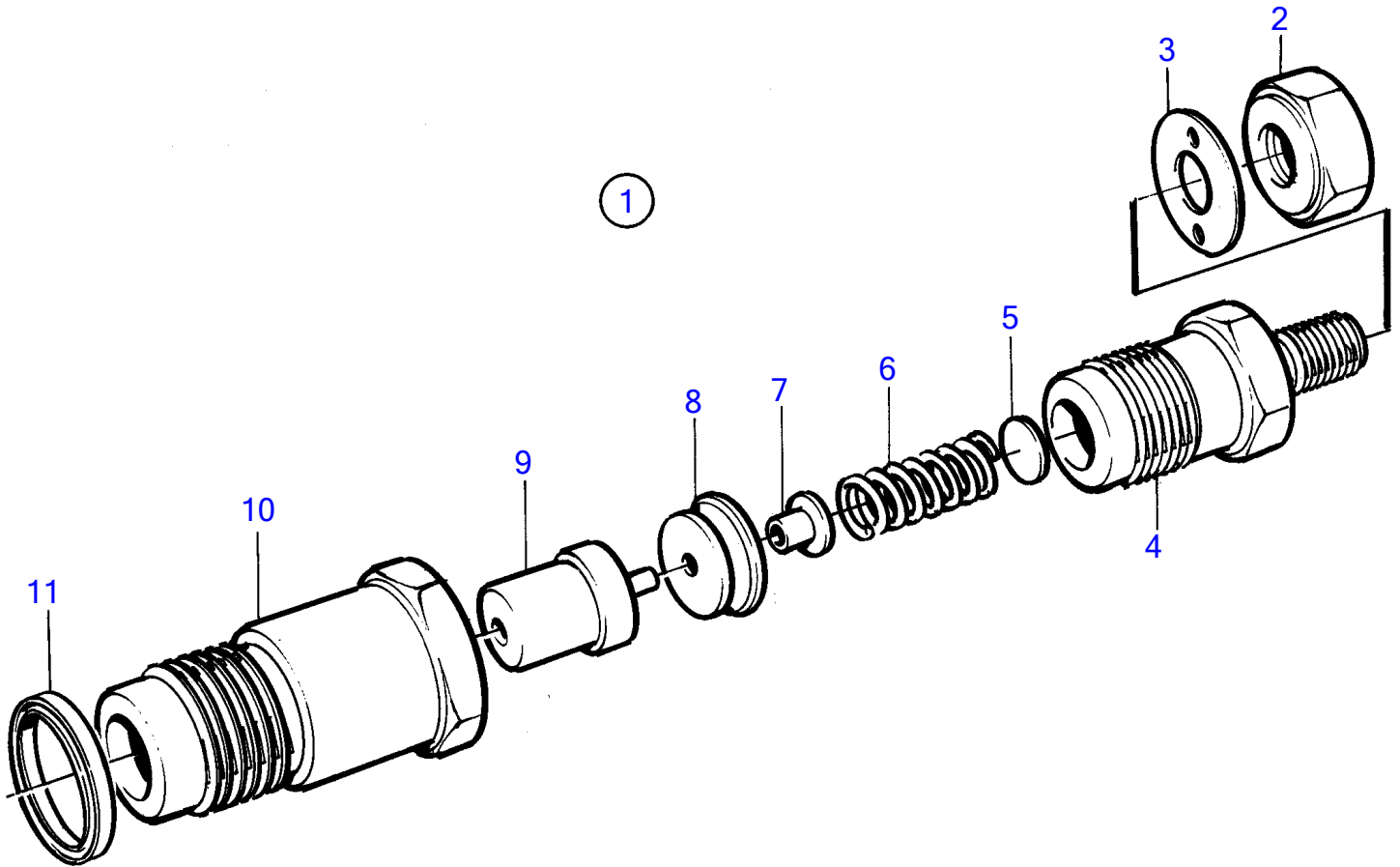


MD2030B



16131

MD2030B

REF	PART NO.	QTY	DESCRIPTION	NOTES
1	3580386	1	Injector	
	3803441	1	Injector, exch	
2	3580404	1	• Nut	
3	3580452	1	• Washer	
4		1	• Retainer	
5	3580406	X	• Washer	TH=1,00mm
	3580407	X	• Washer	TH=1,05mm
	3580408	X	• Washer	TH=1,10mm
	3580409	X	• Washer	TH=1,15mm
	3580410	X	• Washer	TH=1,20mm
	3580411	X	• Washer	TH=1.25mm
	3580412	X	• Washer	TH=1,30mm
	3580413	X	• Washer	TH=1,35mm
	3580414	X	• Washer	TH=1,40mm
	3580415	X	• Washer	TH=1,45mm
	3580416	X	• Washer	TH=1,50mm
	3580417	X	• Washer	TH=1.55mm
	3580418	X	• Washer	TH=1,60mm
	3580419	X	• Washer	TH=1,65mm
	3580420	X	• Washer	TH=1,70mm
	3580421	X	• Washer	TH=1,75mm
	3580422	X	• Washer	TH=1,80mm
	3580423	X	• Washer	TH=1,85mm
	3580424	X	• Washer	TH=1,90mm
6	3580425	1	• Spring	
7	3580426	1	• Pressure bolt	
8	3580427	1	• Spacer	
9	3580428	1	• Nozzle	
10		1	• Nut	
11	3580430	1	Gasket	