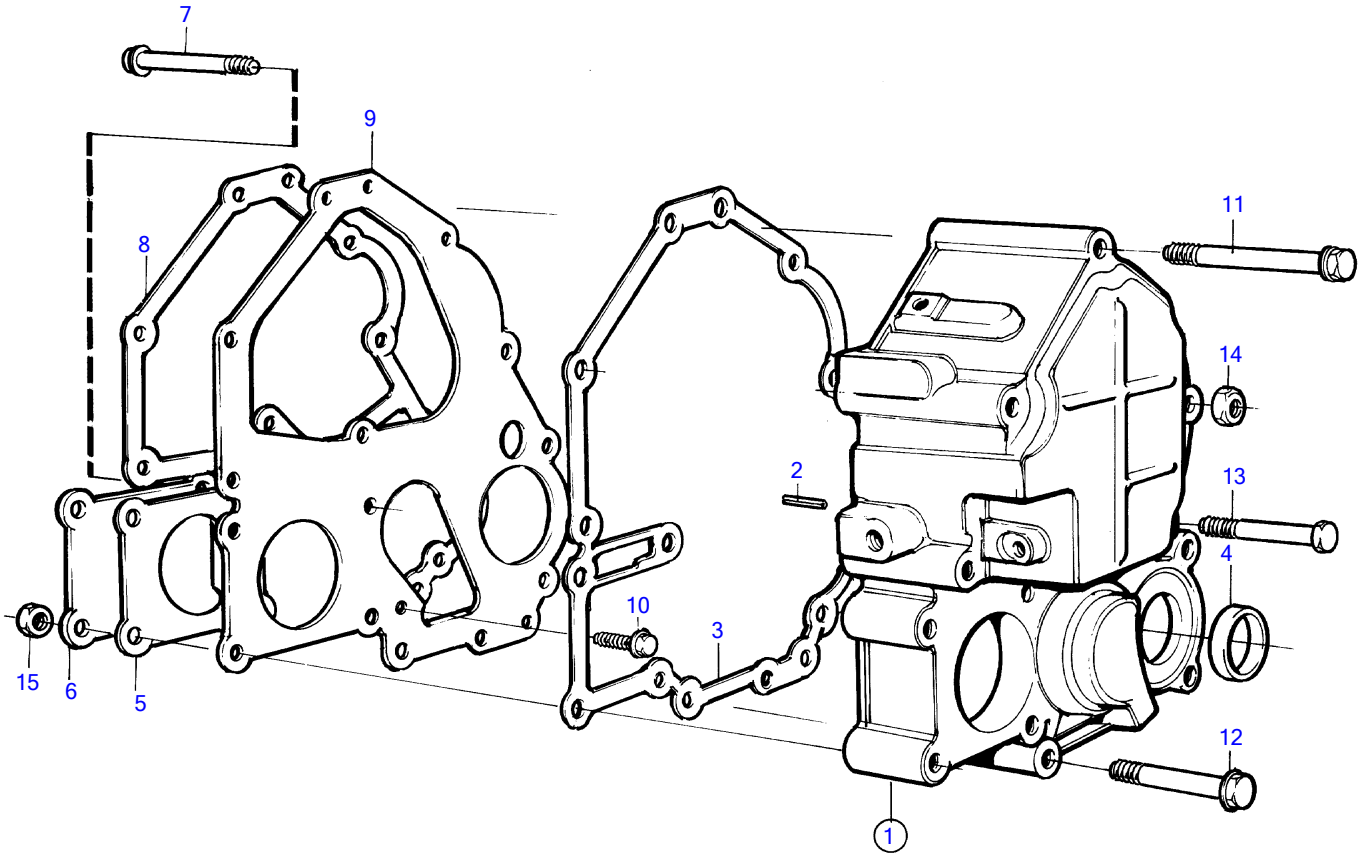


MD2010B, MD2020B



15033

MD2010B, MD2020B

REF	PART NO.	QTY	DESCRIPTION	NOTES
1	3580023	1	Timing gear casing	
2		1	• Tensioning din	
3	3580025	1	Gasket	
4	3580026	1	Sealing ring	
5	3580060	1	Gasket	
6	3580059	1	Cardboard tube	
7	965216	2	Flange screw	(3580052)
8	861536	1	Gasket	
9	861535	1	Front plate	
10	967949	3	Flange screw	
11	861899	2	Screw	
12	3580053	4	Screw	
13	965178	2	Flange screw	(3580054)
14	945407	1	Flange nut	
15	948645	2	Flange lock nut	