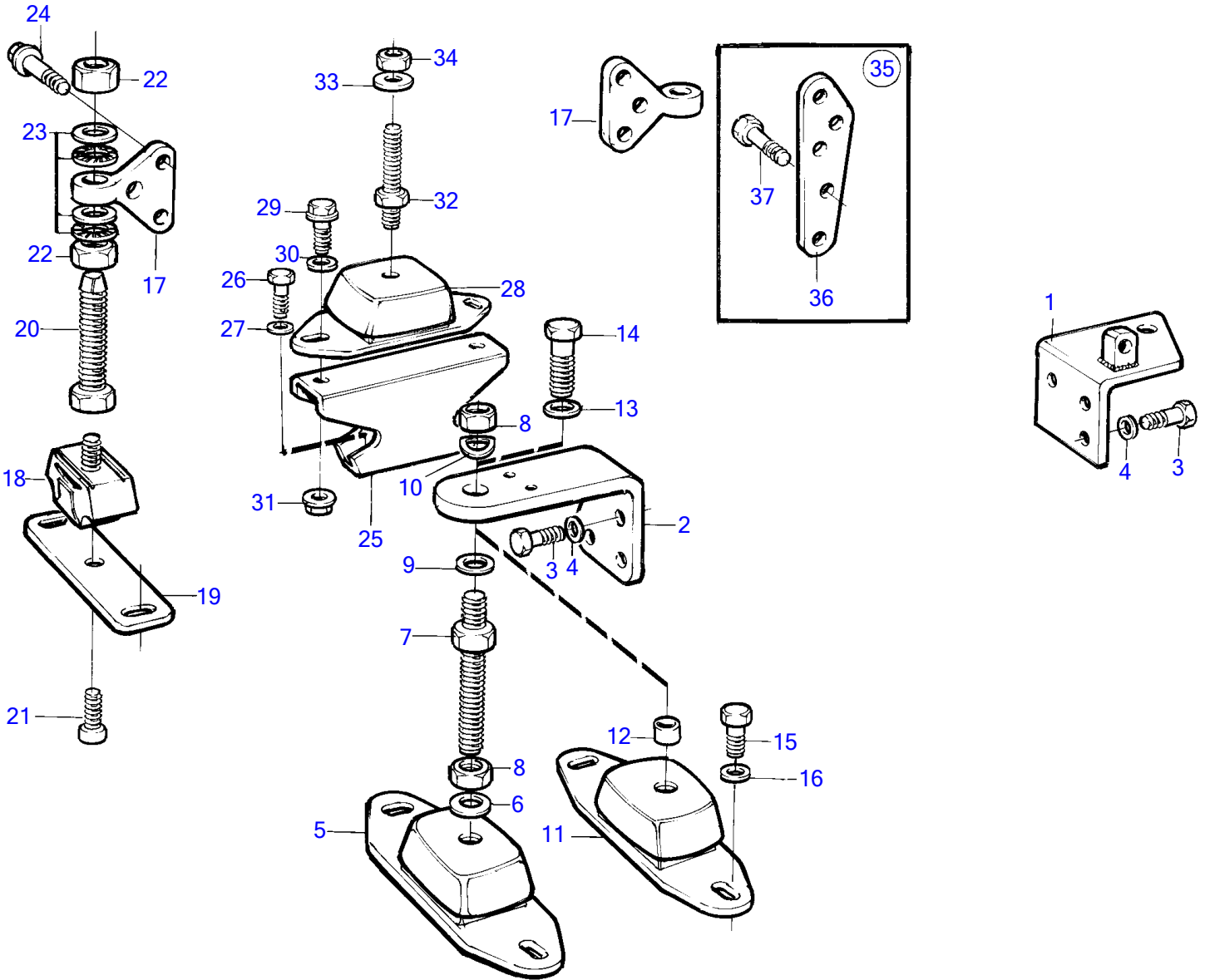


MD2040B



16134

MD2040B

REF	PART NO.	QTY	DESCRIPTION	NOTES
1	3580604	1	Stay, front	P
2	3580603	1	Stay, front	S.B
3	3580605	6	Screw	
4	3580607	6	Spring washer	
5	861460	2	Rubber cushion	
6	955900	2	Washer	
7	861431	2	Adjusting screw	
8	955821	4	Hexagon nut	
9	955900	2	Washer	
10	941912	2	Spring washer	
18	838262	2	Rubber element	
19	838263	2	Attaching plate	
20	838264	2	Adjuster bolt	
21	949149	2	Hex. socket screw	
22	955806	4	Hexagon nut	
23	829893	8	Lock washer	
24	965185	6	Flange screw	
35	(858566)	1	Bracket kit	Obsolete part, For deep engine installation.
36	858550	1	▪ Anchorage, rear	For deep engine installation., P
	858551	1	▪ Anchorage, rear	For deep engine installation., S.B
37	970948	4	▪ Hexagon screw	L=30mm
	965185	4	▪ Flange screw	L=40mm
	970954	2	▪ Hexagon screw	L=60mm