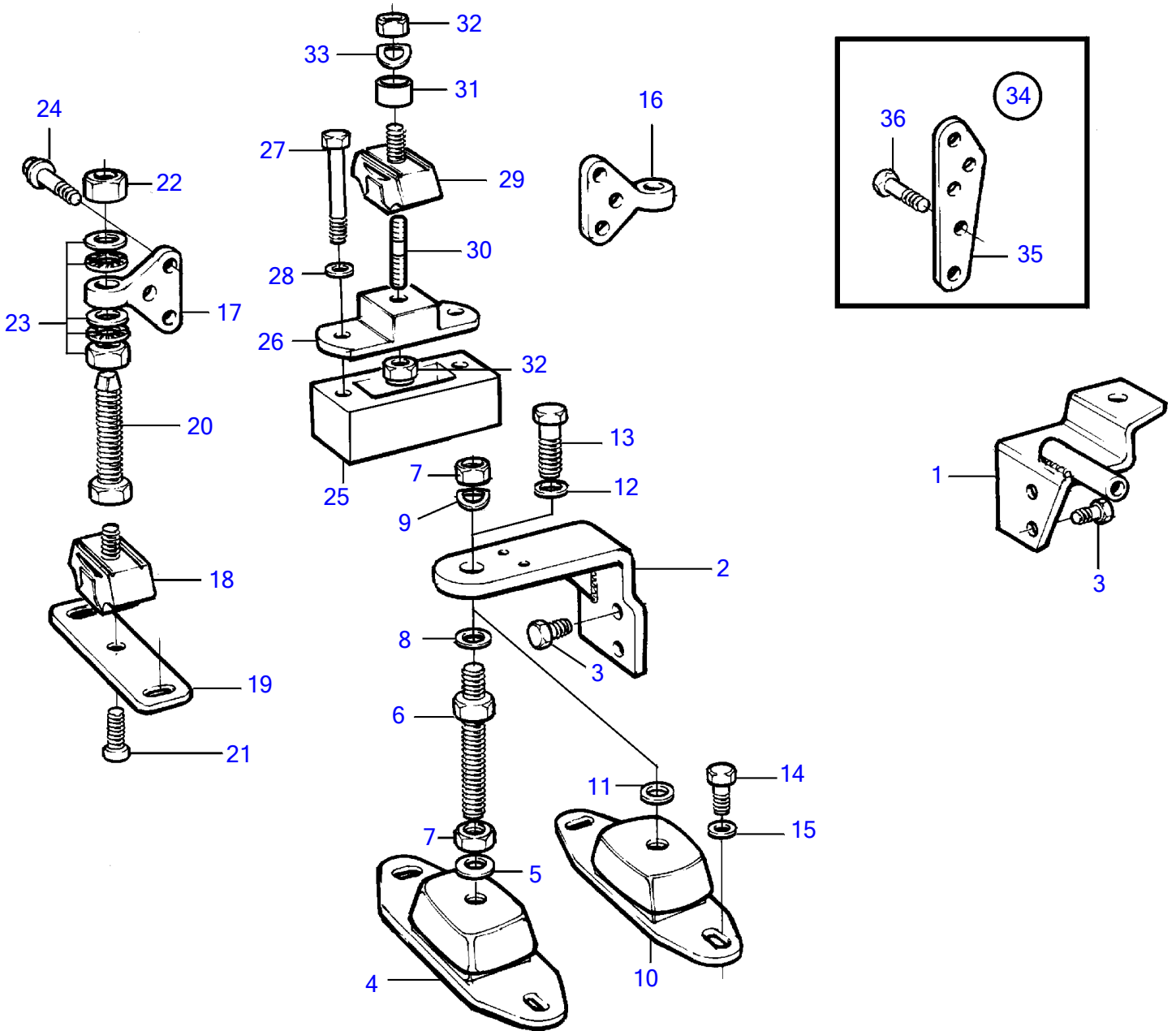


MD2010B



MD2010B

REF	PART NO.	QTY	DESCRIPTION	NOTES
1	3580113	1	Engine mountings, front	P
2	3580114	1	Engine mountings, front	S.B
3	3580115	4	Screw	
4	861460	2	Rubber cushion	
5	955900	2	Washer	
6	861431	2	Adjusting screw	
7	955821	4	Hexagon nut	
8	955900	2	Washer	
9	941912	2	Spring washer	
16	860343	1	Engine bracket, rear	P
17	860344	1	Engine bracket, rear	S.B
18	838262	2	Rubber element	
19	838263	2	Attaching plate	
20	838264	2	Adjuster bolt	
21	949149	2	Hex. socket screw	
22	955806	4	Hexagon nut	
23	829893	8	Lock washer	
24	965185	6	Flange screw	
34	(858566)	1	Bracket kit	Obsolete part, For deep engine installation.
35	858550	1	• Anchorage, rear	For deep engine installation., P
	858551	1	• Anchorage, rear	For deep engine installation., S.B
36	970948	4	• Hexagon screw	L=30mm
	965185	4	• Flange screw	L=40mm
	970954	2	• Hexagon screw	L=60mm