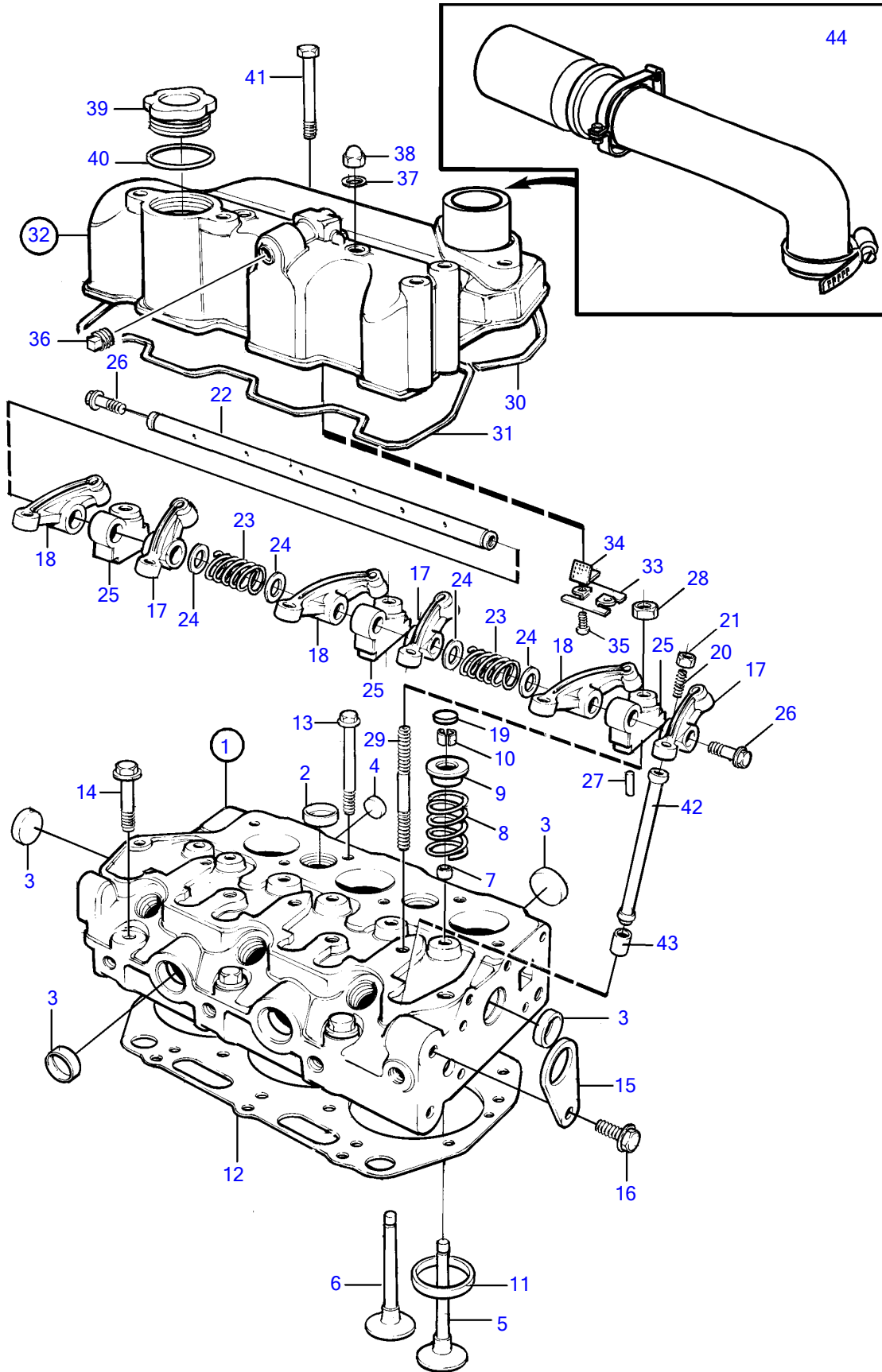


MD2020B



## MD2020B

REF	PART NO.	QTY	DESCRIPTION	SEE SEC.	NOTES
1	3580233	1	Cylinder head		
2	861802	2	• Plug		Replaced by 3886428
	3886428	2	• Cardboard tube		
3	861857	6	• Plug		Replaced by 3886430
	3886430	6	• Plug blank		
4	861804	4	• Plug		Replaced by 3807215
	3807215	4	• Plug		
5	861858	3	• Inlet valve		
6	861859	3	• Exhaust valve		
7	861860	6	• Valve stem seal		
8	861861	6	• Valve spring		
9	861862	6	• Valve spring washer		
10	861863	12	• Valve cone		
11	861864	3	• Valve seat		
12	3580234	1	Cylinder head gasket		TH=0,5mm
13	861866	11	Screw		
14	861867	3	Screw		
15	(861869)	1	Lifting eye		Obsolete part
16	861870	1	Screw		
17	861875	3	Rocker arm		Replaced by 1 ea rocker arm, 3581291 and 1 ea valve cap, 3581293.
	3581291	3	Rocker arm		
18	861876	3	Rocker arm		Replaced by 1 ea rocker arm, 3581292 and 1 ea valve cap, 3581293.
	3581292	3	Rocker arm		
19	3581293	6	Valve cap		
20	861877	6	Screw		
21	861878	6	Nut		
22	3580237	1	Shaft		
23	861881	2	Spring		
24	861883	4	Adjusting washer		
25	861879	3	Bracket		Replaced by 3582684
	3582684	3	Bracket		
26	861886	2	Plug		
27	861882	1	Tensioning din		
28	948645	3	Flange lock nut		
29	861885	3	Stud bolt		
30	3580238	1	Gasket		
31	3580239	1	Gasket		
32	3581520	1	Valve cover		
33		1	• Separator		
34	861891	1	• Filter		
35	967949	2	• Flange screw		
36	861893	1	• Plug		
37	11992	3	Gasket		(861868)
38	3580241	3	Nut		
39	861896	1	Oil filler cap		Replaced by 3583541
	3583541	1	Oil filler cap		
40	861897	1	O-ring		
41	3580243	2	Screw		
42	861828	6	Push rod		
43	3580464	6	Tappet		(861827)
44		1	Air inlet	3109	