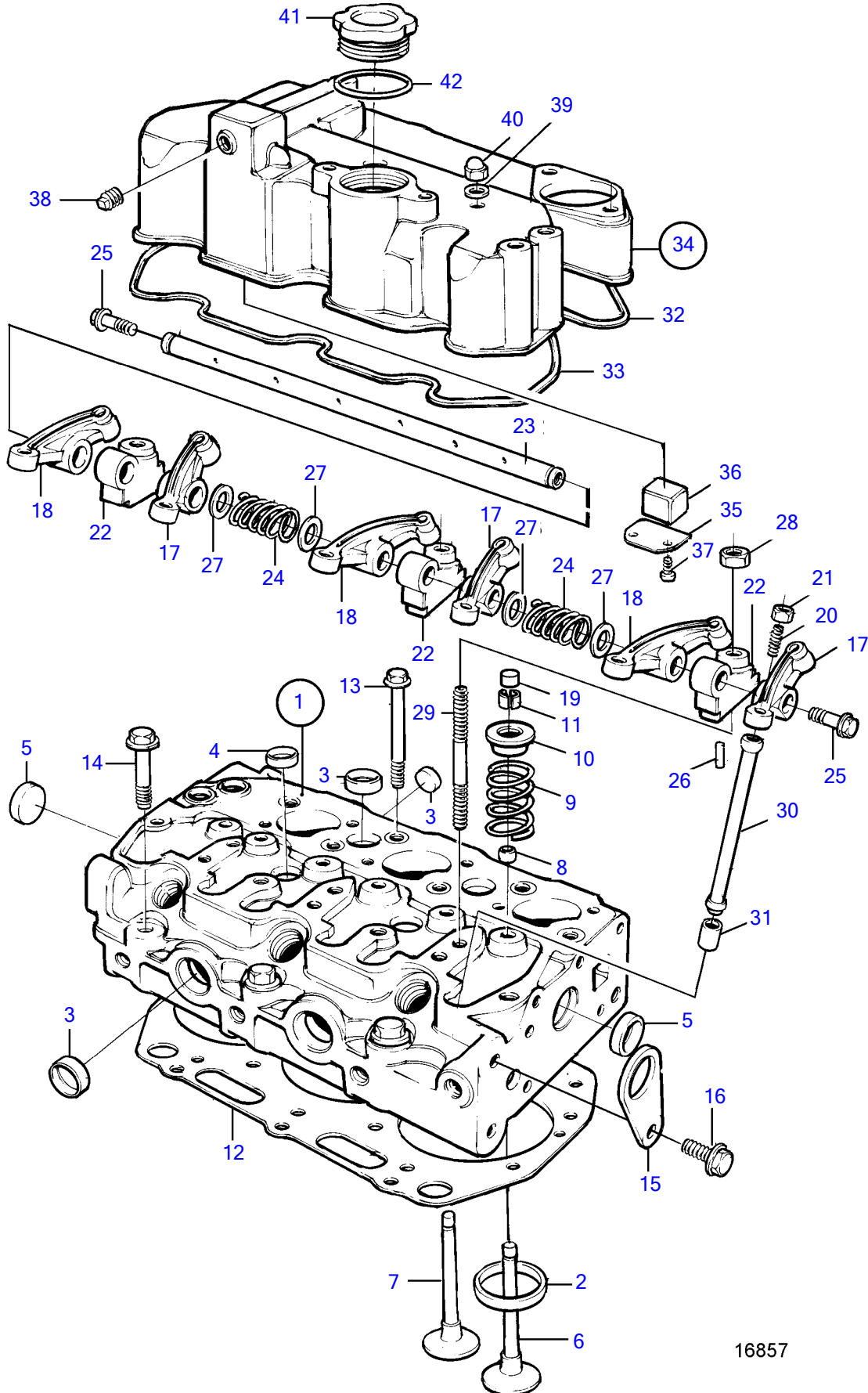


MD2030B



16857

## MD2030B

REF	PART NO.	QTY	DESCRIPTION	NOTES
1	3580300	1	Cylinder head	
2	3580301	3	• Valve seat	
3	3886428	6	• Cardboard tube	
4	3886427	2	• Cardboard tube	
5	3580302	2	• Plug	
6	3580303	3	• Inlet valve	
7	3580304	3	• Exhaust valve	
8	3580305	3	• Valve stem seal, exhaust	
	3580306	3	• Valve stem seal, intake	
9	3580964	6	• Valve spring	
10	3580307	6	• Valve spring washer	
11	3580308	12	• Valve cone	
12	3580309	1	Cylinder head gasket	TH=1,3mm
13	3580310	11	Screw	
14	3580311	3	Screw	
15	(861869)	1	Lifting eye	Obsolete part
16	861870	2	Screw	
17	861875	3	Rocker arm	Replaced by 1 ea rocker arm, 3581291 and 1 ea valve cap, 3580481.
	3581291	3	Rocker arm	
18	861876	3	Rocker arm	Replaced by 1 ea rocker arm, 3581292 and 1 ea valve cap, 3580481.
	3581292	3	Rocker arm	
19	21250646	6	Valve cap	(3580481)
20	861877	6	Screw	
21	861878	6	Nut	
22	3582684	3	Bracket	
23	3580314	1	Shaft	
24	3580315	2	Spring	
25	861886	2	Plug	
26	861882	1	Tensioning din	
27	861883	4	Adjusting washer	
28	948645	3	Flange lock nut	
29	861885	3	Stud bolt	
30	3580289	6	Push rod	
31	861827	6	Tappet	
32	3580316	1	Gasket	
33	3580317	1	O-ring	
34	3580318	1	Valve cover	
35		1	• Separator	
36	3580320	1	• Filter	
37	3580321	2	• Screw	
38	861893	1	• Plug	
39	11992	3	Gasket	
40	3580241	3	Nut	
41	3583541	1	Oil filler cap	
42	861897	1	O-ring	