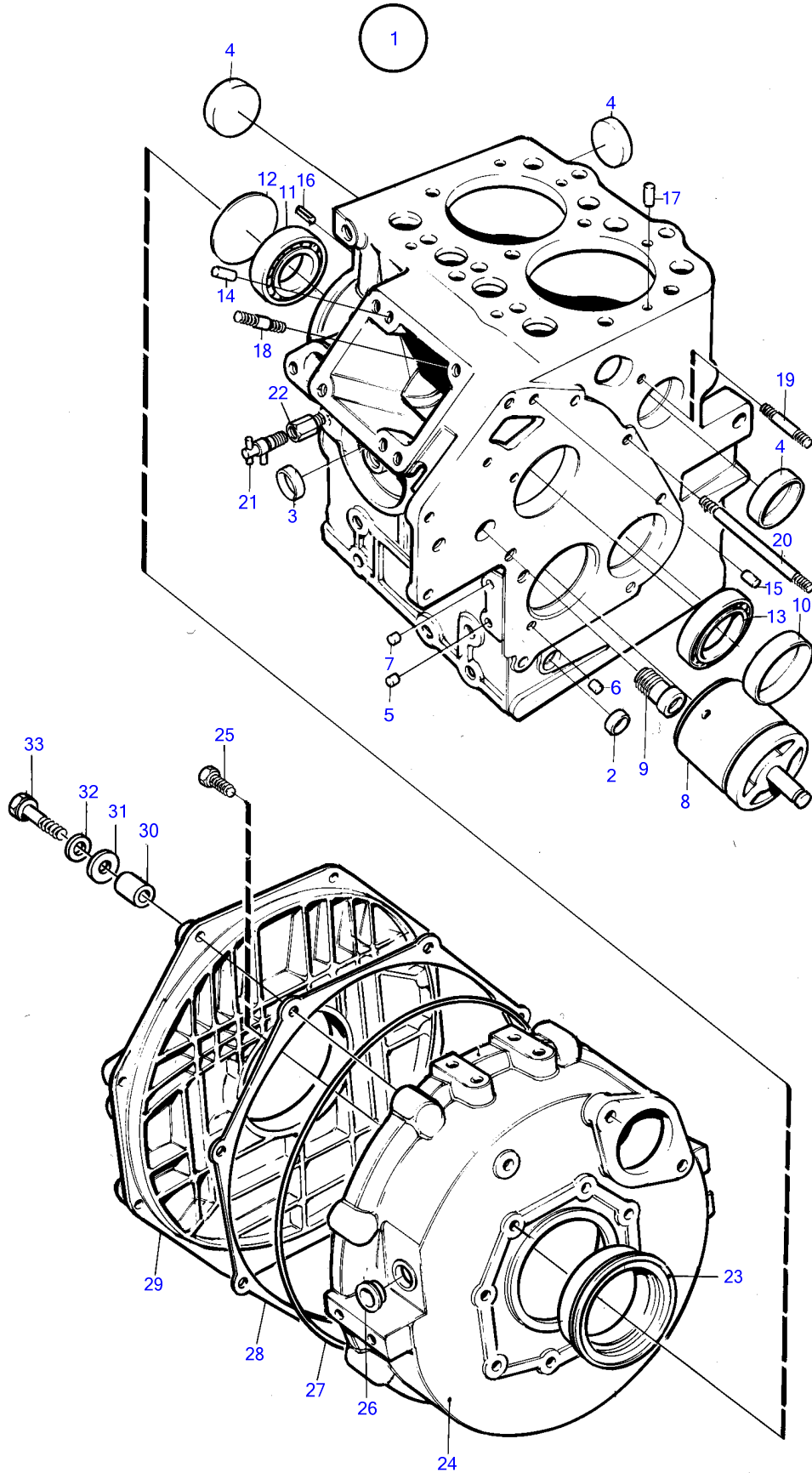


MD2010B



## MD2010B

REF	PART NO.	QTY	DESCRIPTION	NOTES
1	(861800)	1	Cylinder block	Obsolete part
2	3886427	1	• Cardboard tube	
3	3886428	2	• Cardboard tube	
4	21281430	3	• Plug	
5	3807215	4	• Plug	(3580456)
6	861805	1	• Plug	D=5mm
7	861806	4	• Plug	D=9mm
8	(861807)	1	• Shaft	Obsolete part, Replaced by 21541017
	21541017	1	Oil pump	
9	861808	1	• Bushing	
10	3809705	1	• Bushing	
	3809705	1	• Bushing	Std D
	861810	1	• Main bearing	Replaced by 21246161
	21246161	1	• Main bearing	U.S=0,25mm
	861811	1	• Main bearing	U.S=0.50mm
11	861812	1	• Bearing	Replaced by 11010
	11010	1	• Ball bearing	
12	861813	1	• Expansion plug	
13	861814	1	• Bearing	
14		2	• Pin	
15		2	• Dowel	
16		2	• Pin	
17	861818	2	• Spring pin	
18	861819	2	• Stud	
19	861820	1	• Stud	
20	3583709	1	• Stud	Replaced by 3583709
	3583709	1	• Stud	
21	861824	1	Faucet	
22	861831	1	Connector	
23	861823	1	Sealing ring	
24	3581775	1	Flywheel housing	Replaced by 3581775
	3581775	1	Flywheel housing	
25	946173	8	Flange screw	
26	861848	1	Plug	
27	861647	1	Guide ring	
28	861636	1	Isolation plate	
29	861633	1	Flywheel housing	
30	861635	1	Insulating bushing	
31	861634	8	Insulating washer	
32	945583	8	Washer	
33	946470	8	Flange screw	