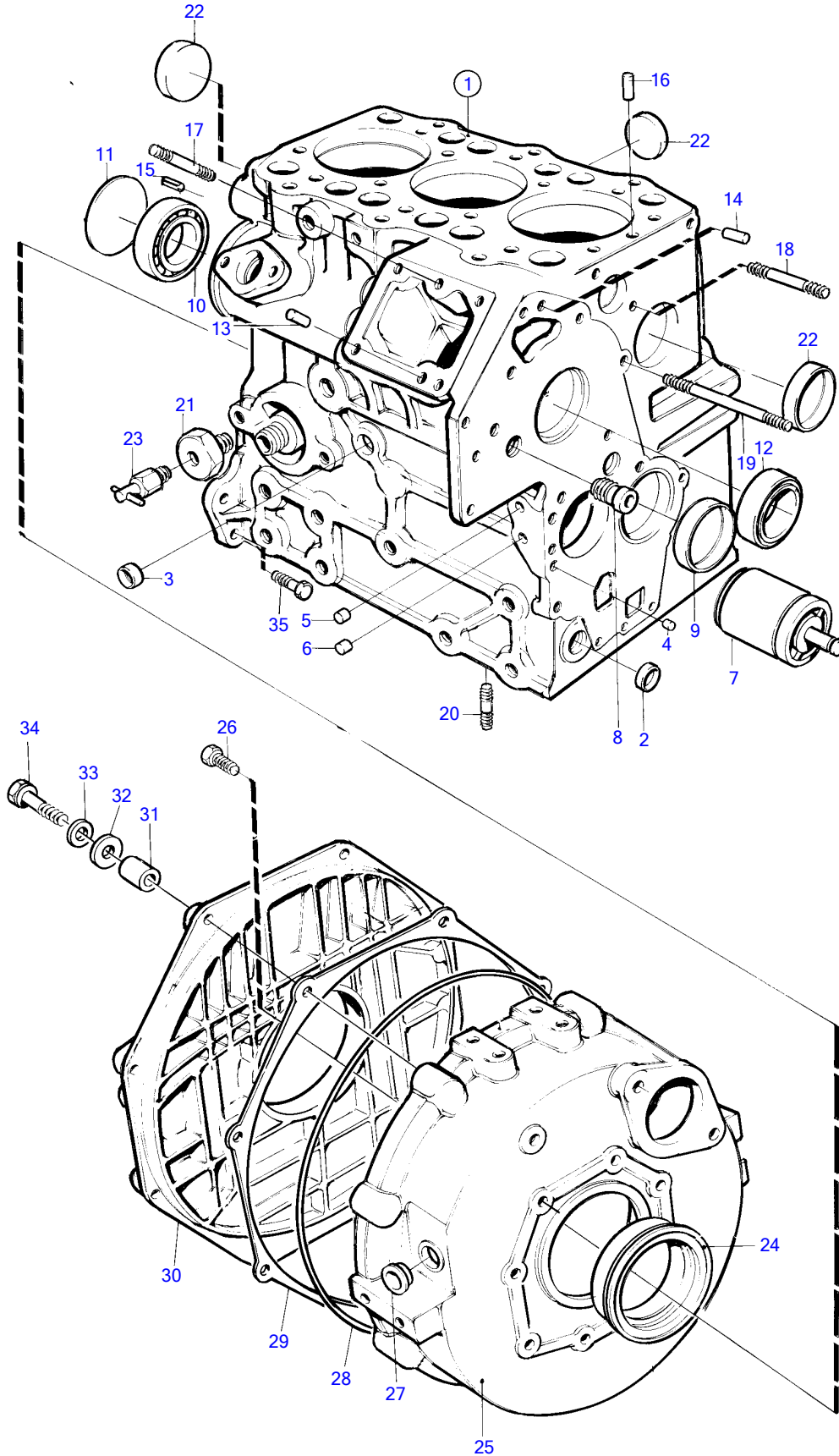


MD2040B



MD2040B

REF	PART NO.	QTY	DESCRIPTION	NOTES
1	3580381	1	Cylinder block	
2	861801	1	• Plug	
3	3583696	1	• Plug	
4	3580282	4	• Plug	
5	861806	2	• Plug	D=9mm
6	3807215	4	• Plug	D=5mm (3580456)
7	(3583704)	1	• Shaft	Obsolete part, (3580457), Replaced by 21541021
	21541021	1	Oil pump	
8	861808	1	• Bushing	
9	3580458	1	• Main bearing	Std D
	3580459	1	• Main bearing	O.S=0,25mm
	3580460	1	• Main bearing	O.S=0.50mm
10	861812	1	• Bearing	Replaced by 11010
	11010	1	Ball bearing	
11	861813	1	• Expansion plug	
12	3580461	1	• Bearing	
13		2	• Pin	
14		2	• Dowel	
15		2	• Pin	
16	861818	2	• Spring pin	
17	953042	2	• Stud	
18	3583708	1	• Stud	(3580225)
19	3583709	1	• Stud	(861821)
20	(3580466)	4	• Stud	Obsolete part
21	3580290	1	• Bushing	
22	3580455	3	• Plug	
23	861824	1	Faucet	
24	3580463	1	Sealing ring	
25	3580471	1	Flywheel housing	
26	946173	8	Flange screw	
27	861848	2	Plug	
28	861647	1	Guide ring	
29	861636	1	Isolation plate	
30	861633	1	Flywheel housing	
31	861635	1	Insulating bushing	
32	861634	8	Insulating washer	
33	945583	8	Washer	
34	946470	8	Flange screw	
35	946472	4	Flange screw	