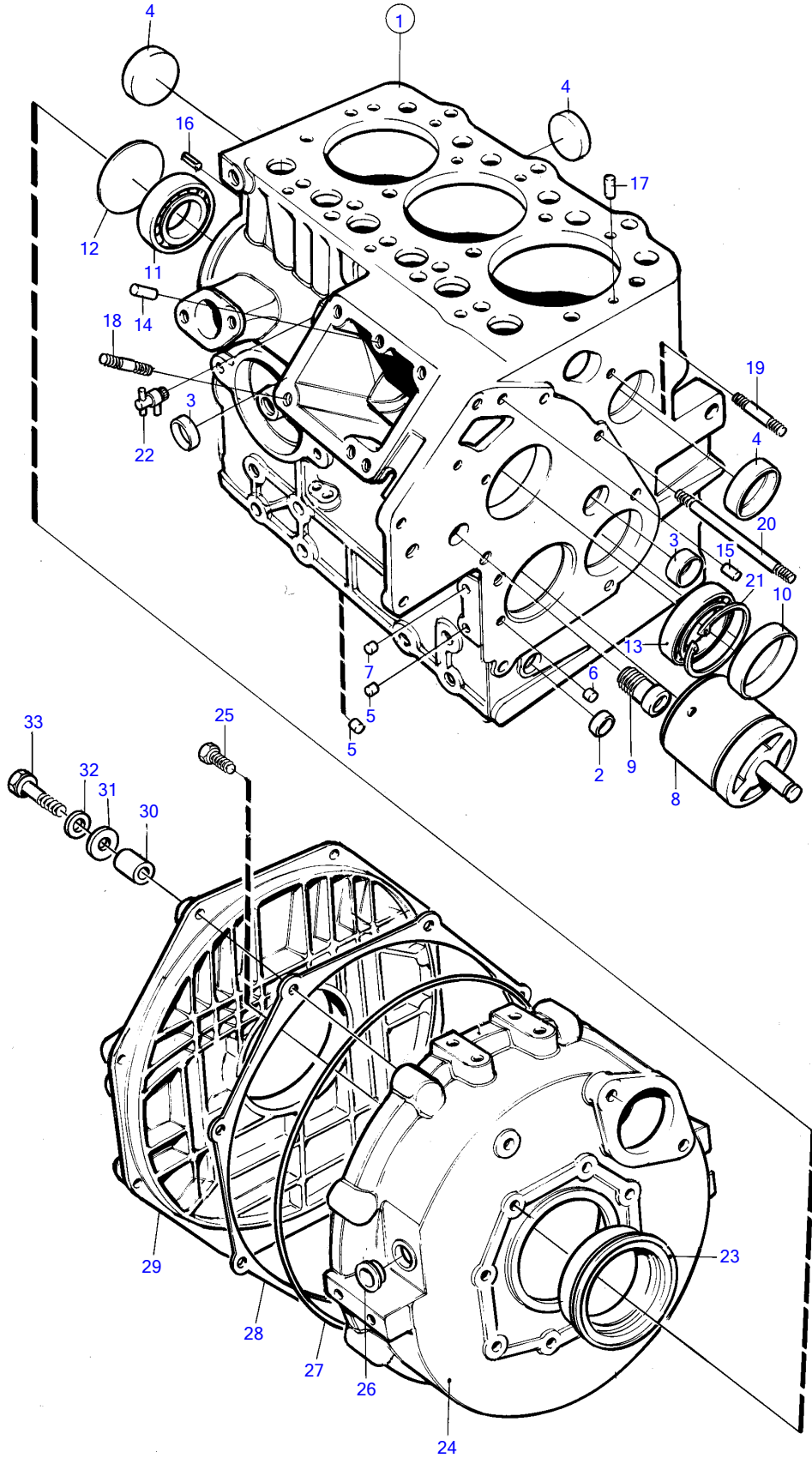


MD2020B



16138

MD2020B

| REF | PART NO. | QTY | DESCRIPTION | NOTES |
|-----|----------|-----|--------------------|-------------------------------------|
| 1 | 3580224 | 1 | Cylinder block | Replaced by 3582306 |
| | 3582306 | 1 | Cylinder block | |
| 2 | 3886427 | 1 | • Cardboard tube | |
| 3 | 3886428 | 2 | • Cardboard tube | |
| 4 | 21281430 | 4 | • Plug | |
| 5 | 3807215 | 5 | • Plug | (3580456) |
| 6 | 861805 | 1 | • Plug | |
| 7 | 861806 | 4 | • Plug | |
| 8 | (861807) | 1 | • Shaft | Obsolete part, Replaced by 21541017 |
| | 21541017 | 1 | Oil pump | |
| 9 | 861808 | 1 | • Bushing | |
| 10 | 3809705 | 1 | • Bushing | |
| | 3809705 | 1 | • Bushing | Std D |
| | 861810 | 1 | • Main bearing | Replaced by 21246161 |
| | 21246161 | 1 | • Main bearing | |
| | 861811 | 1 | • Main bearing | |
| 11 | 861812 | 1 | • Bearing | Replaced by 11010 |
| | 11010 | 1 | • Ball bearing | |
| 12 | 861813 | 1 | • Expansion plug | |
| 13 | 861814 | 1 | • Bearing | |
| 14 | | 2 | • Pin | |
| 15 | | 2 | • Dowel | |
| 16 | | 2 | • Pin | |
| 17 | 861818 | 2 | • Spring pin | |
| 18 | 861819 | 2 | • Stud | |
| 19 | 3583708 | 1 | • Stud | |
| | 3583708 | 1 | Stud | |
| 20 | 3583709 | 1 | • Stud | |
| | 3583709 | 1 | • Stud | |
| 21 | 3580226 | 1 | • Lock ring | |
| 22 | 861824 | 1 | Faucet | |
| 23 | 861823 | 1 | Sealing ring | |
| 24 | 3581775 | 1 | Flywheel housing | |
| 25 | 946173 | 8 | Flange screw | |
| 26 | 861848 | 1 | Plug | |
| 27 | 861647 | 1 | Guide ring | |
| 28 | 861636 | 1 | Isolation plate | |
| 29 | 861633 | 1 | Flywheel housing | |
| 30 | 861635 | 1 | Insulating bushing | |
| 31 | 861634 | 8 | Insulating washer | |
| 32 | 945583 | 8 | Washer | |
| 33 | 946470 | 8 | Flange screw | |