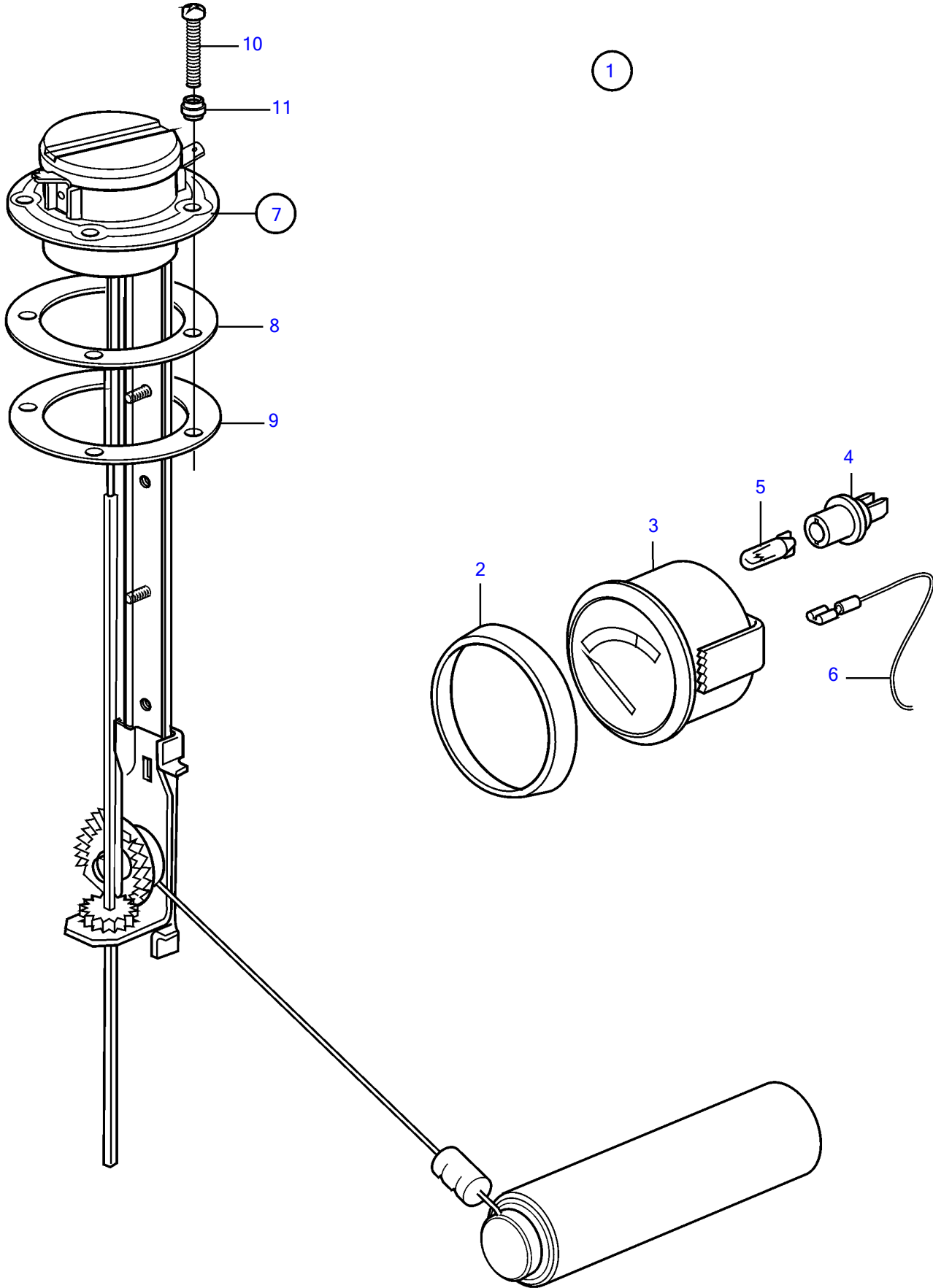


MD2010B, MD2020B, MD2030B, MD2040B



MD2010B, MD2020B, MD2030B, MD2040B

REF	PART NO.	QTY	DESCRIPTION	SEE SEC.	NOTES
1	(1140462)	1	Water level gauge ki		(858881), Obsolete part
2	858643	1	• Front ring		
3	863942	1	• Water level gauge		
4	863945	1	• • Lamp socket		Use white bulb 19923 and socket 808175 for earlier gauges.
5	863946	1	• • • Bulb		Use white bulb 19923 and socket 808175 for earlier gauges.
6		X	• Wiring harness	1963	
7	834389	1	• Tank sensor		
8	89865	1	• • Gasket		
9	834480	1	• • Flange		
10	969407	4	• • 6 point socket screw		(956078)
	969409	1	• • 6 point socket screw		
11	834481	5	• • Gasket		