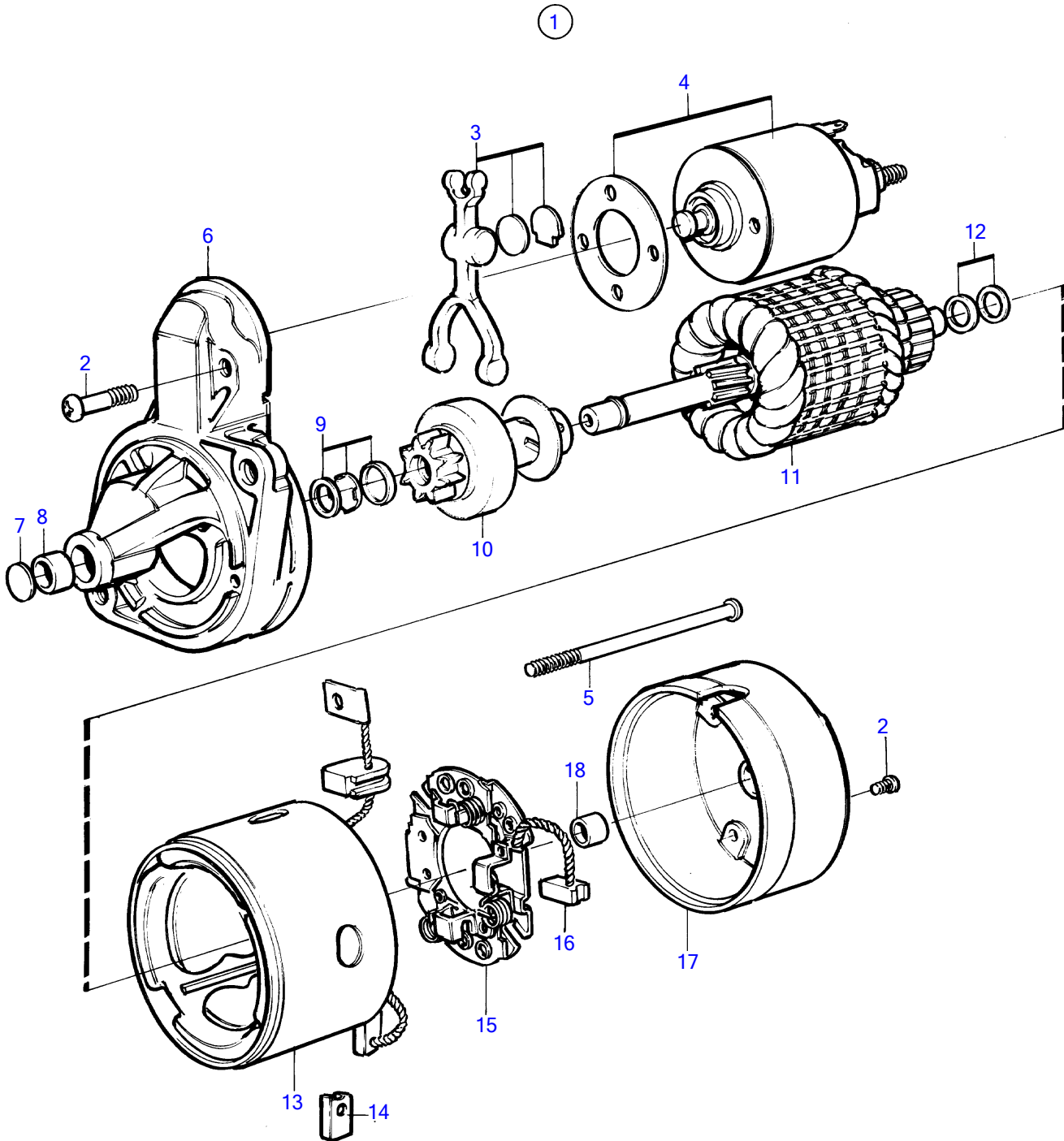


MD2010B, MD2020B



11677

MD2010B, MD2020B

| REF | PART NO. | QTY | DESCRIPTION | NOTES |
|-----|-----------|-----|------------------------|---------------|
| 1 | 861845 | 1 | Starter motor | |
| 2 | 3580205 | 1 | • Screw kit | |
| 3 | 3580206 | 1 | • Engagement lever | |
| 4 | 3580207 | 1 | • Actuator solenoid | |
| 5 | | 2 | • Screw | |
| 6 | | 1 | • Bearing housing | |
| 7 | | 1 | • • Washer | |
| 8 | 3580210 | 1 | • • Bushing | |
| 9 | 3580211 | 1 | • Pinion stop | |
| 10 | 3580212 | 1 | • Starter pinion | |
| 11 | | 1 | • Rotor | |
| 12 | (3580214) | 1 | • Washer kit | Obsolete part |
| 13 | | 1 | • Field winding | |
| 14 | 3580216 | 2 | • • Carbon brush | |
| 15 | 3580217 | 1 | • Brush retainer plate | |
| 16 | 3580219 | 1 | • • Carbon brush | |
| 17 | | 1 | • Commutator bearing | |
| 18 | 3580221 | 1 | • • Bushing | |