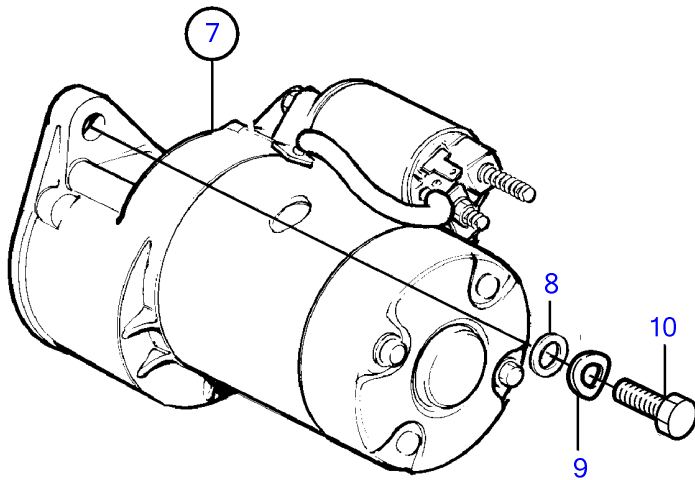
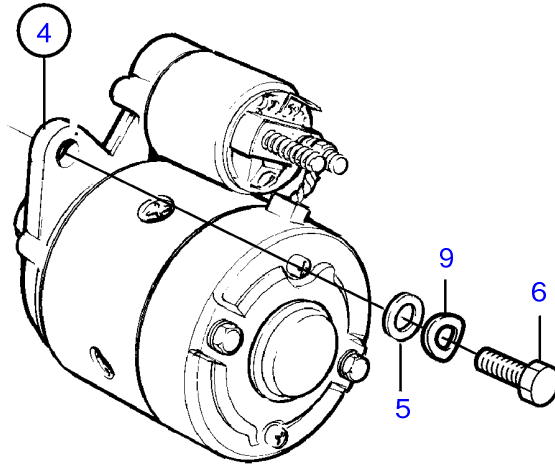
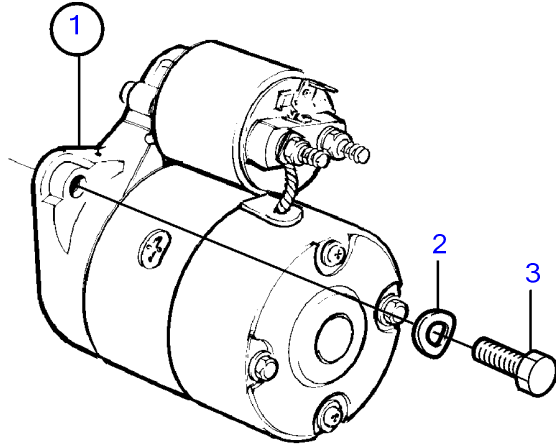


MD2030B



MD2030B

REF	PART NO.	QTY	DESCRIPTION	SEE SEC.	NOTES
1				199	
				21449	
4	3580295	1	Starter motor		Replaced by 3582514
				256	
	3582514	1	Starter motor		
	3803584	1	Starter motor, exch, exch		
				256	
5	3580108	2	Washer		
6	3580296	2	Screw		
7				257	