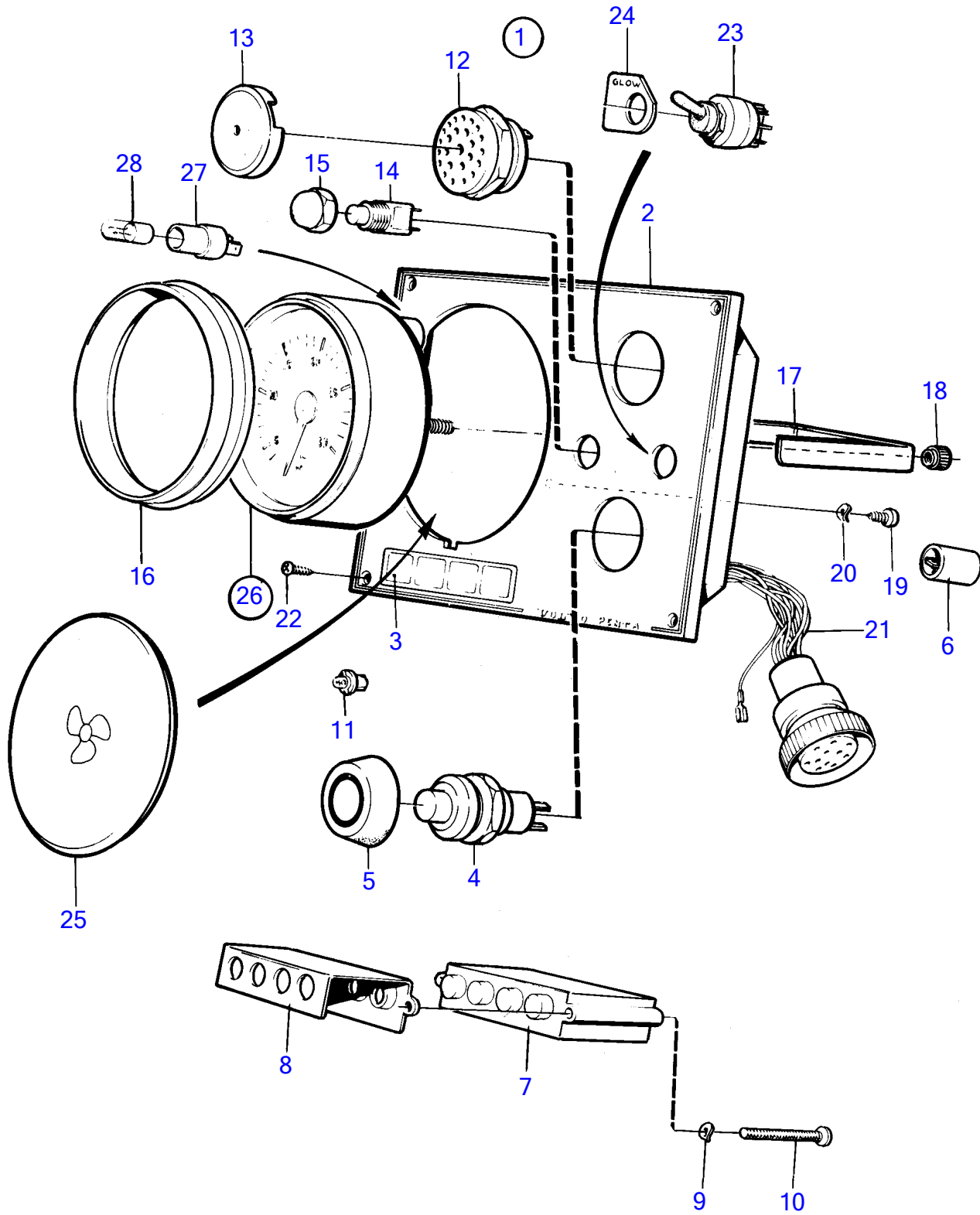


MD2010B, MD2020B, MD2030B, MD2040B



15874

MD2010B, MD2020B, MD2030B, MD2040B

REF	PART NO.	QTY	DESCRIPTION	NOTES
1	873594	1	Instrument panel	
2	872798	1	• Instrument panel	
3	858645	1	• Symbol strip	
4	843684	1	• Button	
5	837533	1	• Rubber cap	
6		1	• Diode	State key code when ordering, (1624394)
7	873737	1	• Electronic unit	
8	828784	1	• Reflector	
9	941904	2	• Spring washer	
10	(941615)	2	• Cross recessed screw	Obsolete part
11	19923	4	• Bulb	12V
12	828587	1	• Buzzer	
13	858795	1	• Protecting casing	
14	828585	1	• Toggle switch	Instr. light
15	828586	1	• Nut	
16	873517	1	• Ring	
17	873208	1	• Brace kit	
18		2	• • Nut	
19	949947	1	• Cross recessed screw	
20	941904	1	• Spring washer	
21	873560	1	• Cable kit	
22	828647	4	• Screw	
23	872800	1	• Toggle switch	
24	872771	1	• Decal	
25	858648	1	Closure	Alt
26	873992	1	Tachometer kit	4600 rpm
27	863945	1	• Lamp socket	
28	863946	1	• Bulb	12V