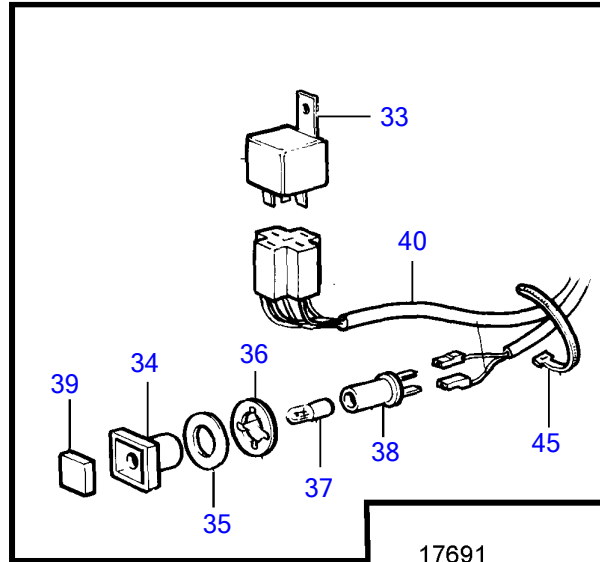
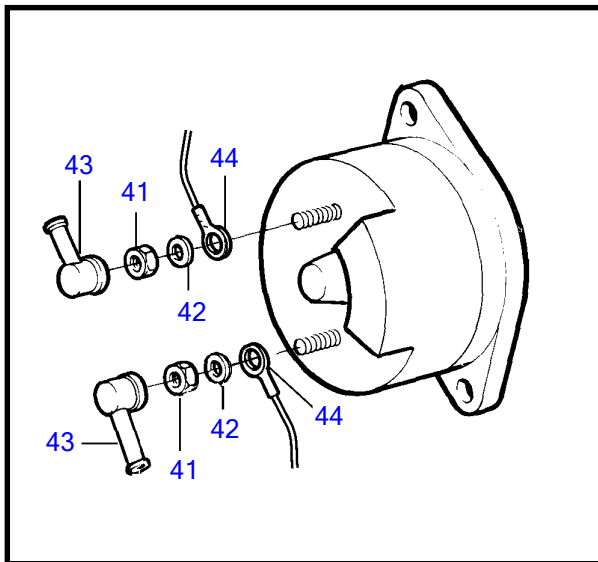
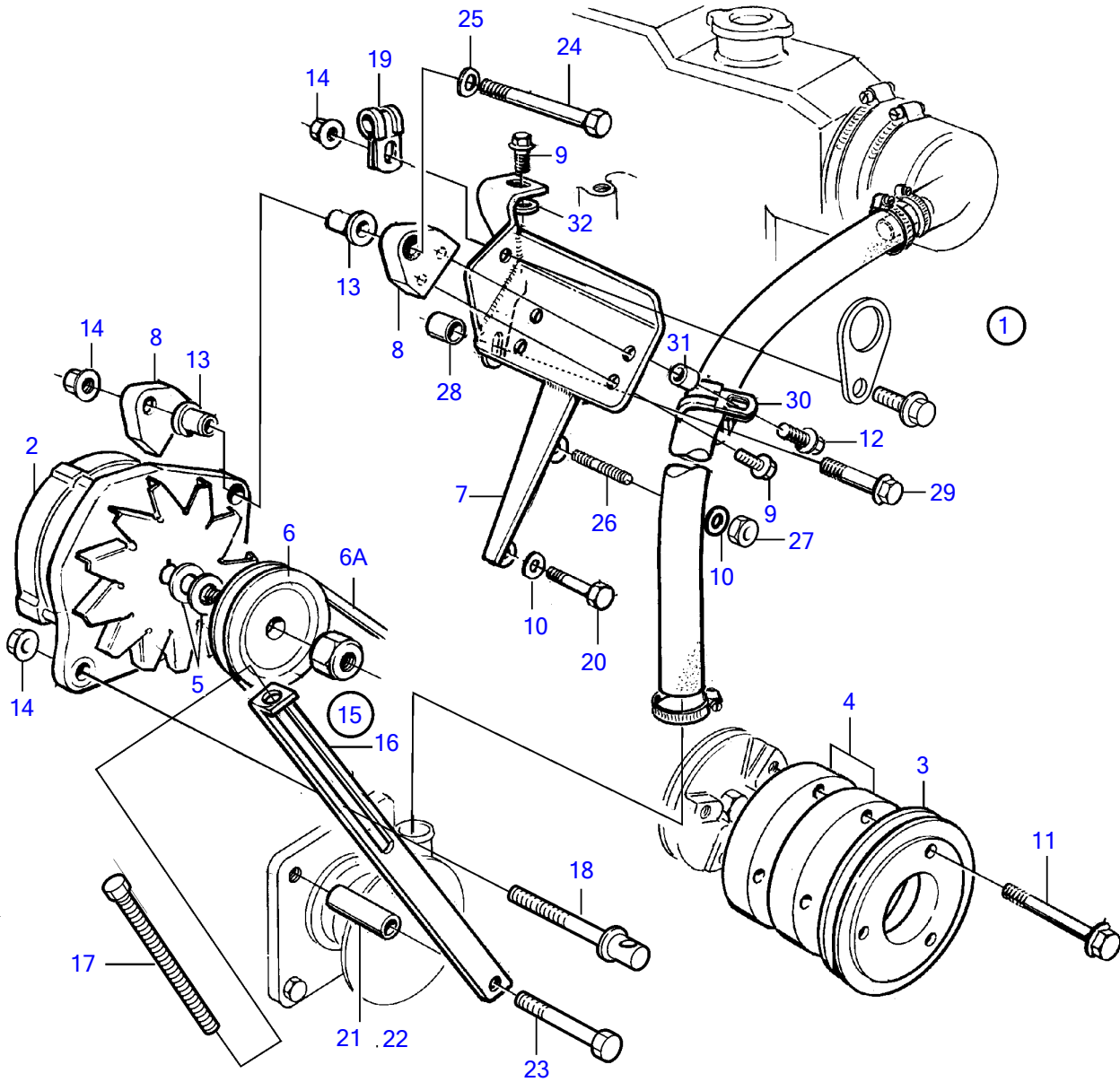


MD2020B, MD2030B



Upd:2012-05-07

17691

7746410-30-4207

MD2020B, MD2030B

REF	PART NO.	QTY	DESCRIPTION	SEE SEC.	NOTES
1	(3581043)	1	Alternator		Obsolete part
2	872235	1	• Alternator		14V, 60A
	3803260	1	• Alternator, exch, exch		14V, 60A
			• •		
			•	448	
3	3581037	1	• Pulley		
4	3581083	2	• Spacer disc		When extra pulley is mounted.
5		2	• Washer		
6	841811	1	• Pulley		
6A	978750	1	V-belt		
7	861142	1	• Bracket		
8	3580749	2	• Anchorage		
9	946440	4	• Flange screw		
10	955893	2	• Washer		
11	965217	3	• Flange screw		
12	945444	1	• Flange screw		
13	859274	2	• Washer		
14	945408	2	• Flange nut		
15	861660	1	• Tensioning arm		
16		1	• • Tensioner		
17	977820	1	• • Hexagon screw		
18	861663	1	• • Flange screw		
19	949746	1	• Clamp		
20	955285	1	• Hexagon screw		
21	847239	1	• Spacer sleeve		L=36mm for 2020
22	848694	1	• Spacer sleeve		L=36mm for 2030
23	965184	1	• Flange screw		
24	963233	1	• Hexagon screw		
25	941907	1	• Spring washer		
26	945292	1	• Stud		
27	955781	1	• Hexagon nut		
28	821539	1	• Spacer sleeve		
29	946671	1	• Flange screw		
30	947827	1	• Clamp		
31	807184	1	• Spacer sleeve		
32	961169	2	• Washer		8.4x16x3mm
33	1324492	1	• Relay		
34	838455	1	• Retainer		
35	829714	1	• Sealing ring		
36	967583	1	• Retainer		
37	19923	1	• Bulb		
38	808175	1	• Lamp socket		
39	838457	1	• Symbol strip		
40	838542	1	• Cable trunk		
41	955780	1	• Hexagon nut		M5
	955781	1	• Hexagon nut		M6
42	941905	1	• Spring washer		I.D=5,3mm
	941906	1	• Spring washer		I.D=6,7mm
43	842150	2	• Protective cap		
44	881512	1	• Cable terminal		M5
	940335	1	• Cable terminal		M6
45	948211	10	• Cable tie		