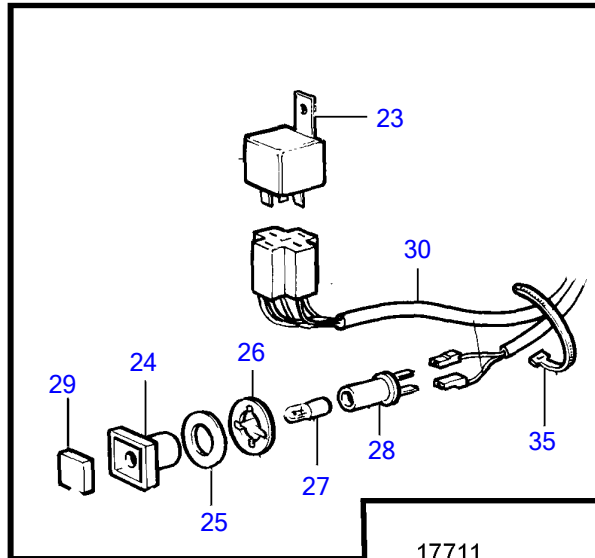
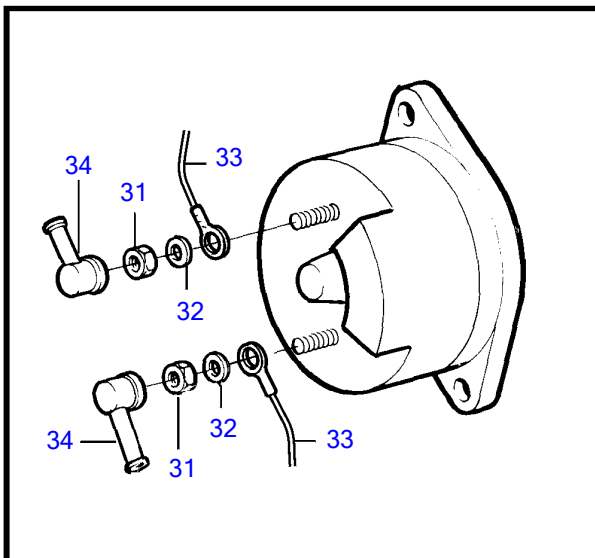
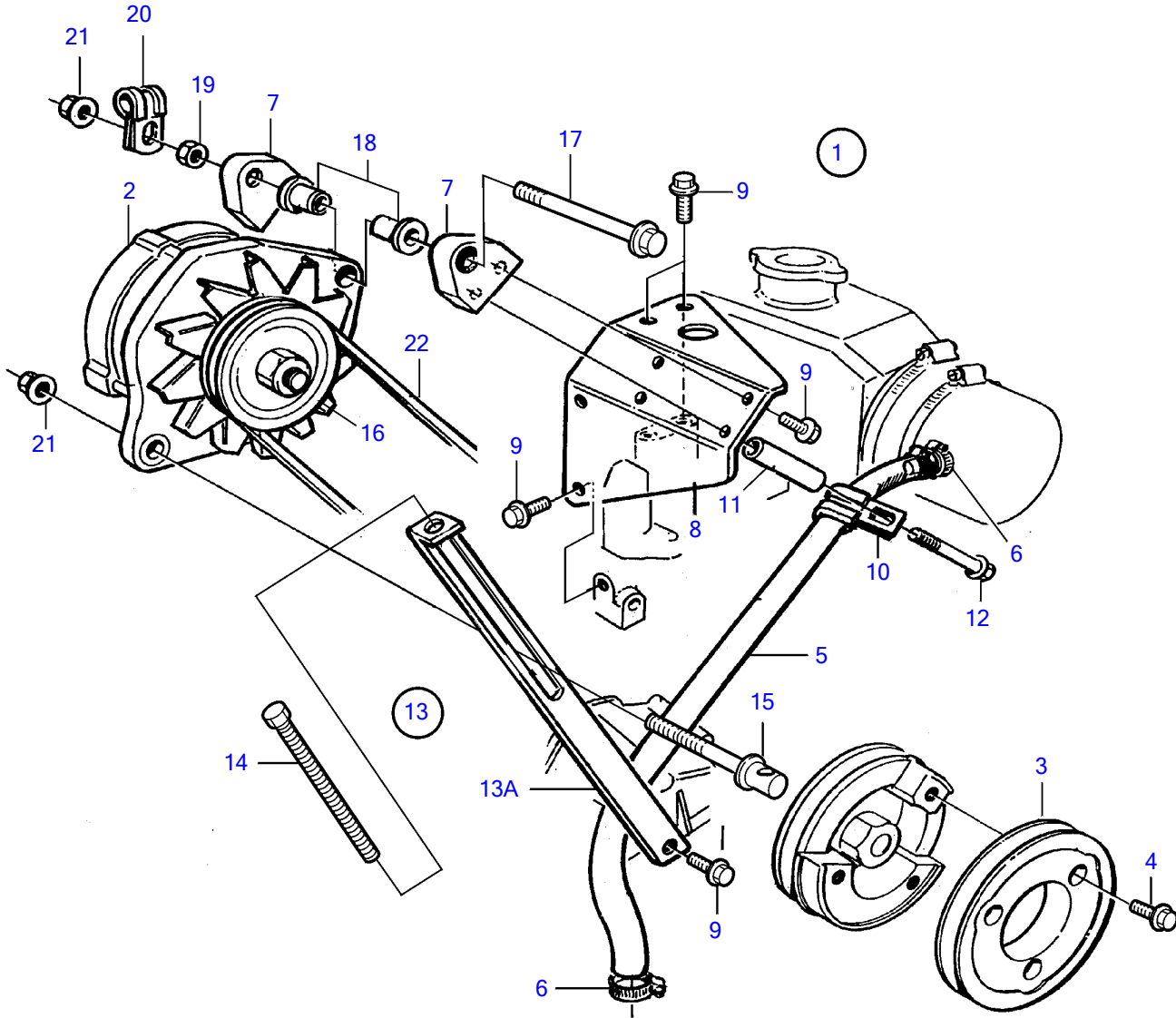


MD2040B



Upd:2012-05-07

17711

7746410-30-4039

MD2040B

REF	PART NO.	QTY	DESCRIPTION	SEE SEC.	NOTES
1	3581044	1	Alternator		
2	872235	1	• Alternator		14V, 60A
	3803260	1	• Alternator, exch, exch		14V, 60A
			•	448	
3	3581036	1	• • Pulley		
4	965225	3	• • Flange screw		
5	3581082	1	• • Hose		
6	943473	2	• • Hose clamp		
7	3580749	2	• • Anchorage		
8	3580703	1	• • Bracket		
9	946440	7	• • Flange screw		
10	952637	1	• • Clamp		
11	807257	1	• • Spacer sleeve		
12	965180	1	• • Flange screw		
13	861660	1	• • Tensioning arm		
13A		1	• • • Tensioner		
14	977820	1	• • • Hexagon screw		
15	861663	1	• • • Flange screw		
16	841813	1	• • Pulley		
17	968553	1	• • Flange screw		
18	859274	2	• • Washer		
19	955782	1	• • Hexagon nut		
20	949746	1	• • Clamp		
21	945408	2	• • Flange nut		
22	978739	1	• • V-belt		
23	1324492	1	• • Relay		
24	838455	1	• • Retainer		
25	829714	1	• • Sealing ring		
26	967583	1	• • Retainer		
27	19923	1	• • Bulb		
28	808175	1	• • Lamp socket		
29	838457	1	• • Symbol strip		
30	838542	1	• • Cable trunk		
31	955780	1	• • Hexagon nut		M5
	955781	1	• • Hexagon nut		M6
32	941905	1	• • Spring washer		I.D=5,3mm
	941906	1	• • Spring washer		I.D=6,7mm
33	881512	1	• • Cable terminal		M5
	940335	1	• • Cable terminal		M6
34	842150	2	• • Protective cap		
35	948211	10	• • Cable tie		