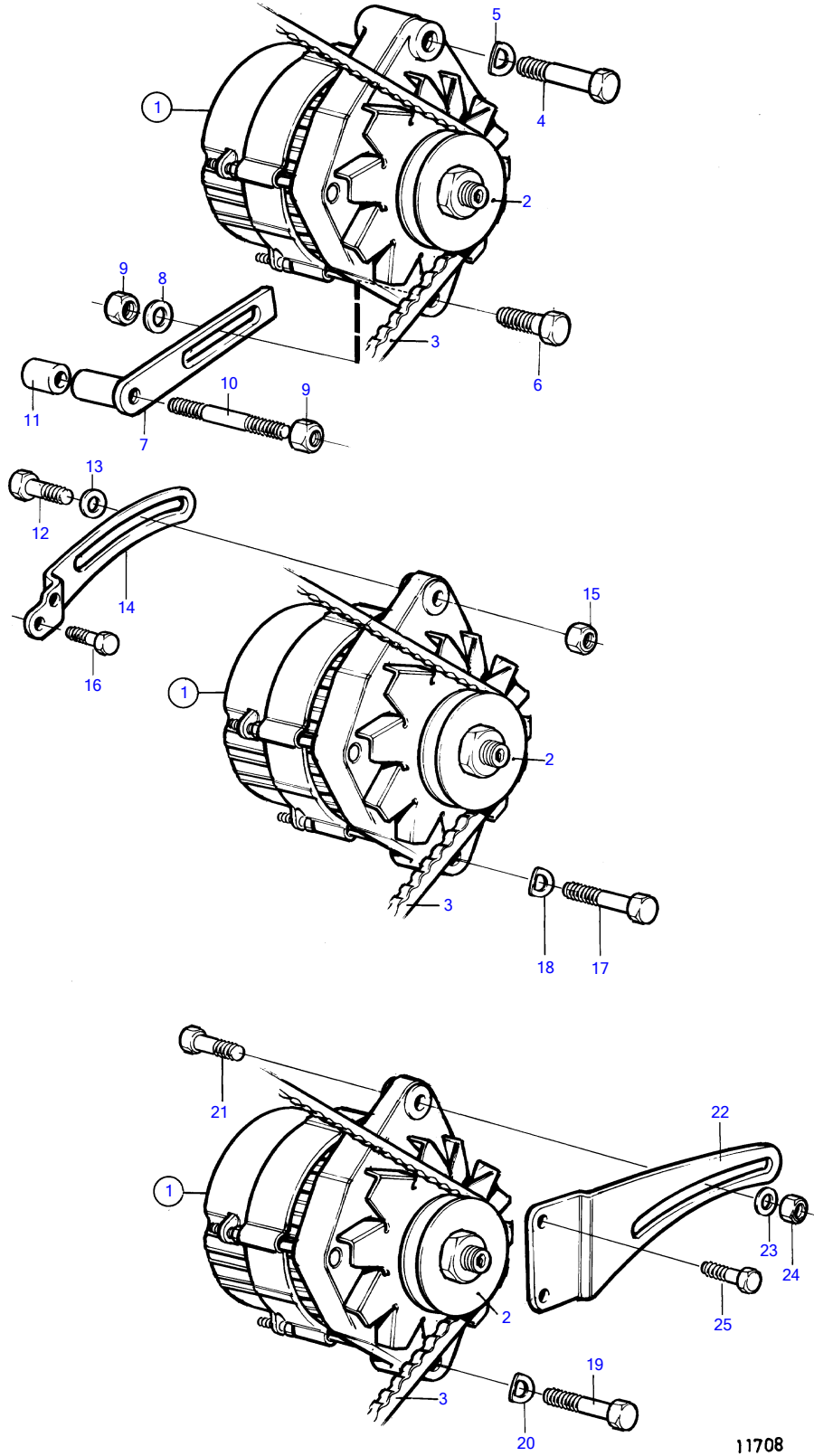


MD2040B



MD2040B

REF	PART NO.	QTY	DESCRIPTION	SEE SEC.	NOTES
1	872235	1	Alternator		14V 60A
	3803260	1	Alternator, exch, exch		14V 60A
			.	448	
2	873344	1	Pulley		Std
3	967114	1	V-belt		Replaced by 978710
19	3580014	1	Screw		
20	3580015	1	Spring washer		
21	947760	1	Flange screw		
22	3580582	1	Tensioner		
23	3580019	1	Washer		
24	948645	1	Flange lock nut		
25	946173	2	Flange screw		