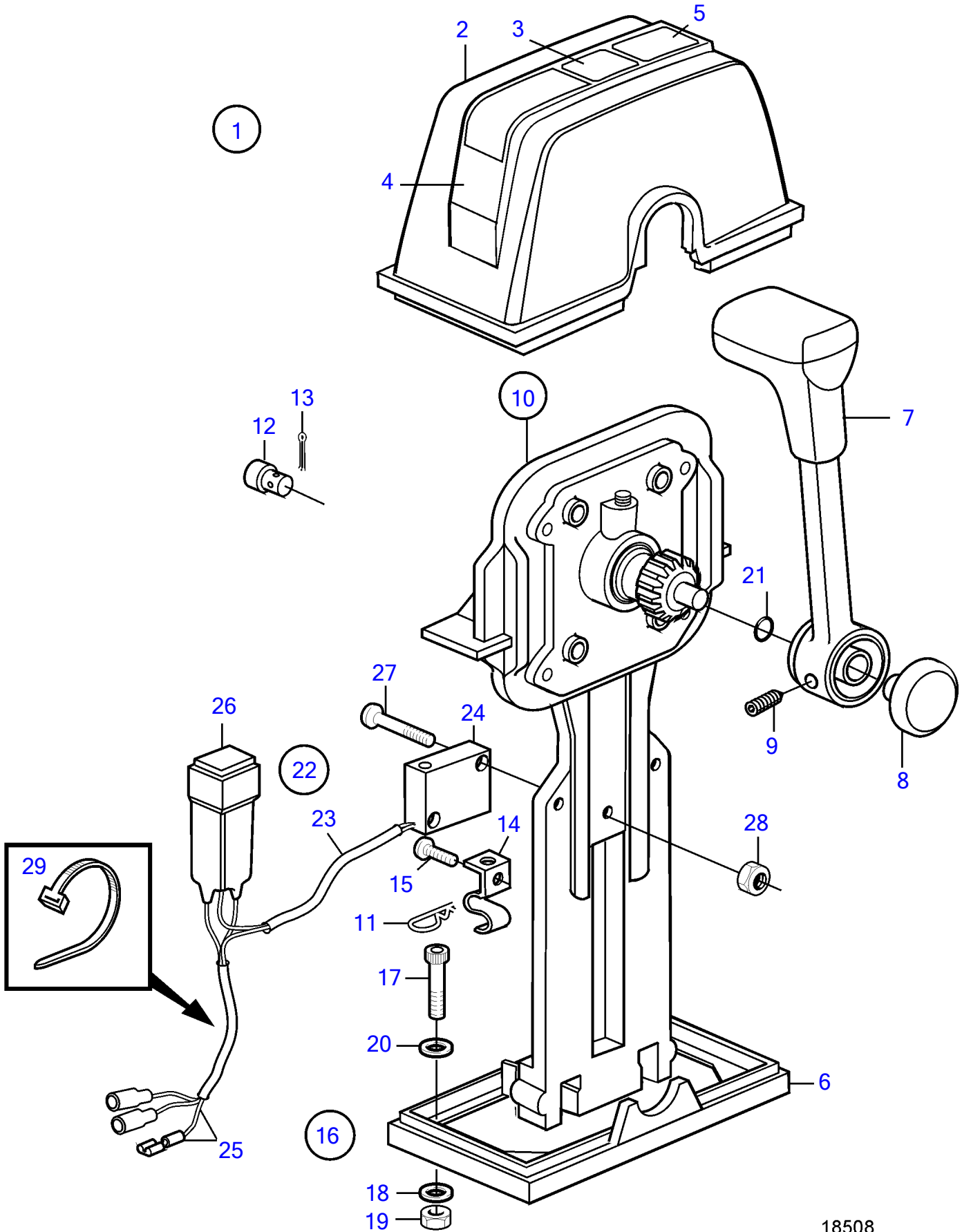


MD2010B, MD2020B, MD2030B, MD2040B



MD2010B, MD2020B, MD2030B, MD2040B

REF	PART NO.	QTY	DESCRIPTION	SEE SEC.	NOTES
1	853169	1	Mounting kit		For twin installation.
2	851881	1	• Cover		
3	(851895)	2	• • Decal		Obsolete part
4		1	• • Crossbar		
5	851897	1	• • Decal		
6	839479	1	• • Plate		
7	852347	2	Hand lever		
				266	
8		2	• Push button		Included in complete handle.
9		2	• Screw		Included in complete handle.
10	851600	2	Control		
11	853423	2	• Retainer		
12	852924	2	• Clip		
13	839664	2	• Screw		
14	839638	2	• Cube		
15	17253	2	• Split pin		
16		1	Screw kit		
17	947671	4	• Hex. socket screw		
18	960138	4	• Washer		
19	955780	4	• Hexagon nut		
20	940090	4	• Washer		
21	925058	2	• O-ring		
22	855352	2	Neutral position con		
23	(839619)	2	• Cable kit		Obsolete part
24	850200	2	• • Toggle switch		
25		X	• • cables and terminals	1963	
26	876037	2	• Relay kit		
27	946177	4	• Cross recessed screw		
28	947536	4	• Hexagon nut		
29	948211	X	• Cable tie		