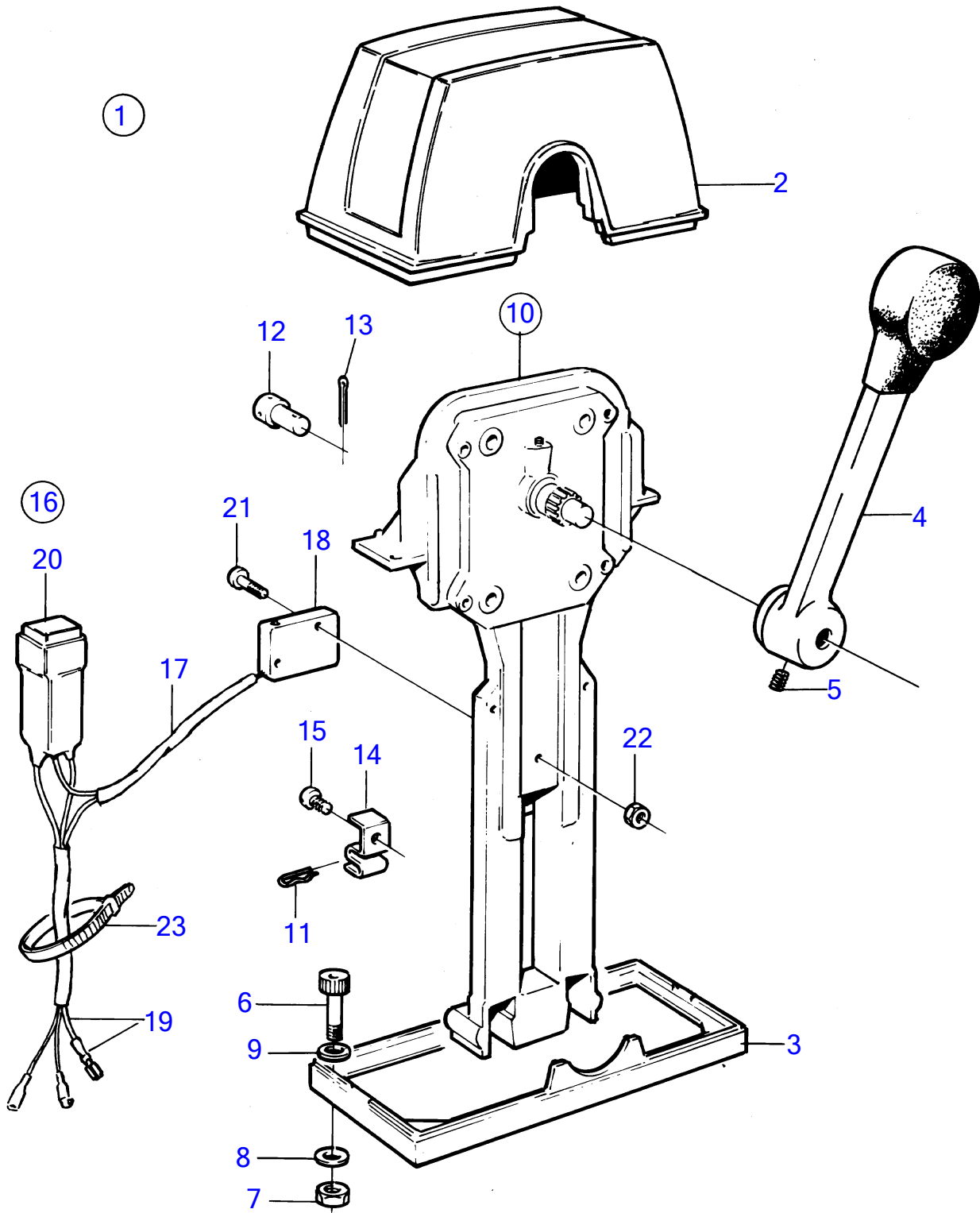


MD2010B, MD2020B, MD2030B, MD2040B



8862

MD2010B, MD2020B, MD2030B, MD2040B

| REF | PART NO. | QTY | DESCRIPTION | SEE SEC. | NOTES |
|-----|----------|-----|--------------------------|----------|---------------|
| 1 | 1140022 | 1 | Mounting kit | | |
| 2 | 850823 | 1 | • Cover | | |
| 3 | 839474 | 1 | • Plate | | |
| 4 | 839521 | 1 | • Hand lever | | |
| 5 | 839693 | 1 | • Lock screw | | |
| 6 | 947671 | 4 | • Hex. socket screw | | |
| 7 | 955780 | 4 | • Hexagon nut | | |
| 8 | 960138 | 4 | • Washer | | |
| 9 | 940090 | 2 | • Washer | | |
| 10 | 851600 | 1 | Control | | |
| 11 | 852924 | 1 | • Clip | | |
| 12 | 839638 | 2 | • Cube | | |
| 13 | 17253 | 2 | • Split pin | | |
| 14 | 853423 | 1 | • Retainer | | |
| 15 | 839664 | 1 | • Screw | | |
| 16 | 855352 | 1 | Neutral position con | | |
| 17 | (839619) | 1 | • Cable kit | | Obsolete part |
| 18 | 850200 | 1 | • • Toggle switch | | |
| 19 | | X | • • cables and terminals | 1963 | |
| 20 | 876037 | 1 | • Relay kit | | |
| 21 | 946177 | 2 | • Cross recessed screw | | |
| 22 | 947536 | 2 | • Hexagon nut | | |
| 23 | 948211 | X | • Cable tie | | |