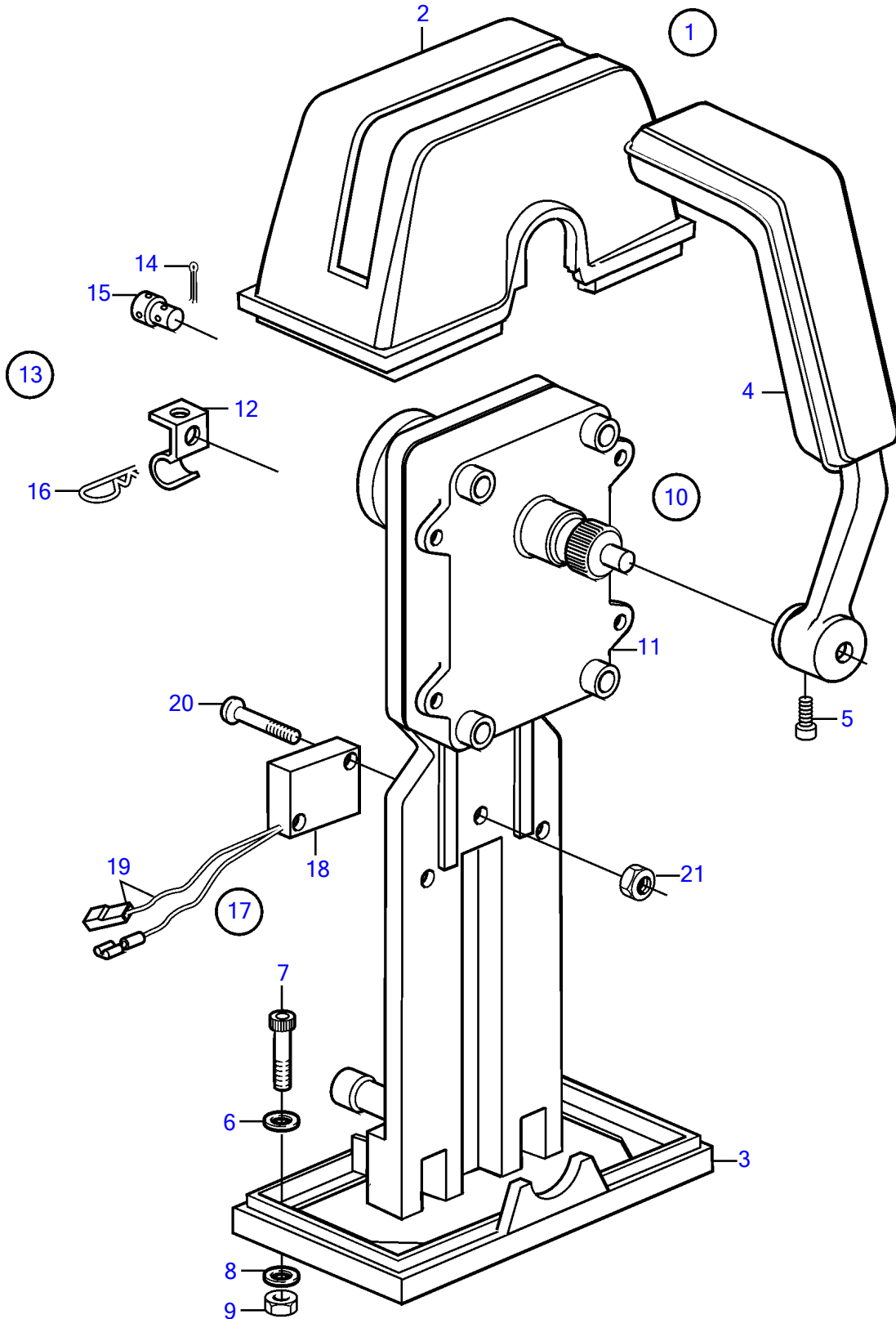


MD2010B, MD2020B, MD2030B, MD2040B



MD2010B, MD2020B, MD2030B, MD2040B

| REF | PART NO. | QTY | DESCRIPTION | SEE SEC. | NOTES |
|-----|----------|-----|--------------------------|----------|------------------------|
| 1 | 851603 | 1 | Mounting kit | | For twin installation. |
| 2 | 850824 | 1 | • Cover | | |
| 3 | 839479 | 1 | • Plate | | |
| 4 | 839475 | 2 | • Hand lever | | |
| 5 | 839693 | 2 | • Lock screw | | |
| 6 | 940090 | 2 | • Washer | | |
| 7 | 947671 | 6 | • Hex. socket screw | | |
| 8 | 960138 | 6 | • Washer | | |
| 9 | 955780 | 6 | • Hexagon nut | | |
| 10 | 851600 | 2 | Control | | |
| 11 | (851666) | 2 | • Control mechanism | | Obsolete part |
| 12 | 853423 | 2 | • Retainer | | |
| 13 | (851712) | 2 | • Connector kit | | Obsolete part |
| 14 | 17253 | 4 | • • Split pin | | |
| 15 | 839638 | 4 | • • Cube | | |
| 16 | 852924 | 2 | • • Clip | | |
| 17 | 855352 | 2 | Neutral position con | | |
| 18 | 850200 | 2 | • Toggle switch | | |
| 19 | | X | • • cables and terminals | 1963 | |
| 20 | 946177 | 4 | • Cross recessed screw | | |
| 21 | 947536 | 4 | • Hexagon nut | | |