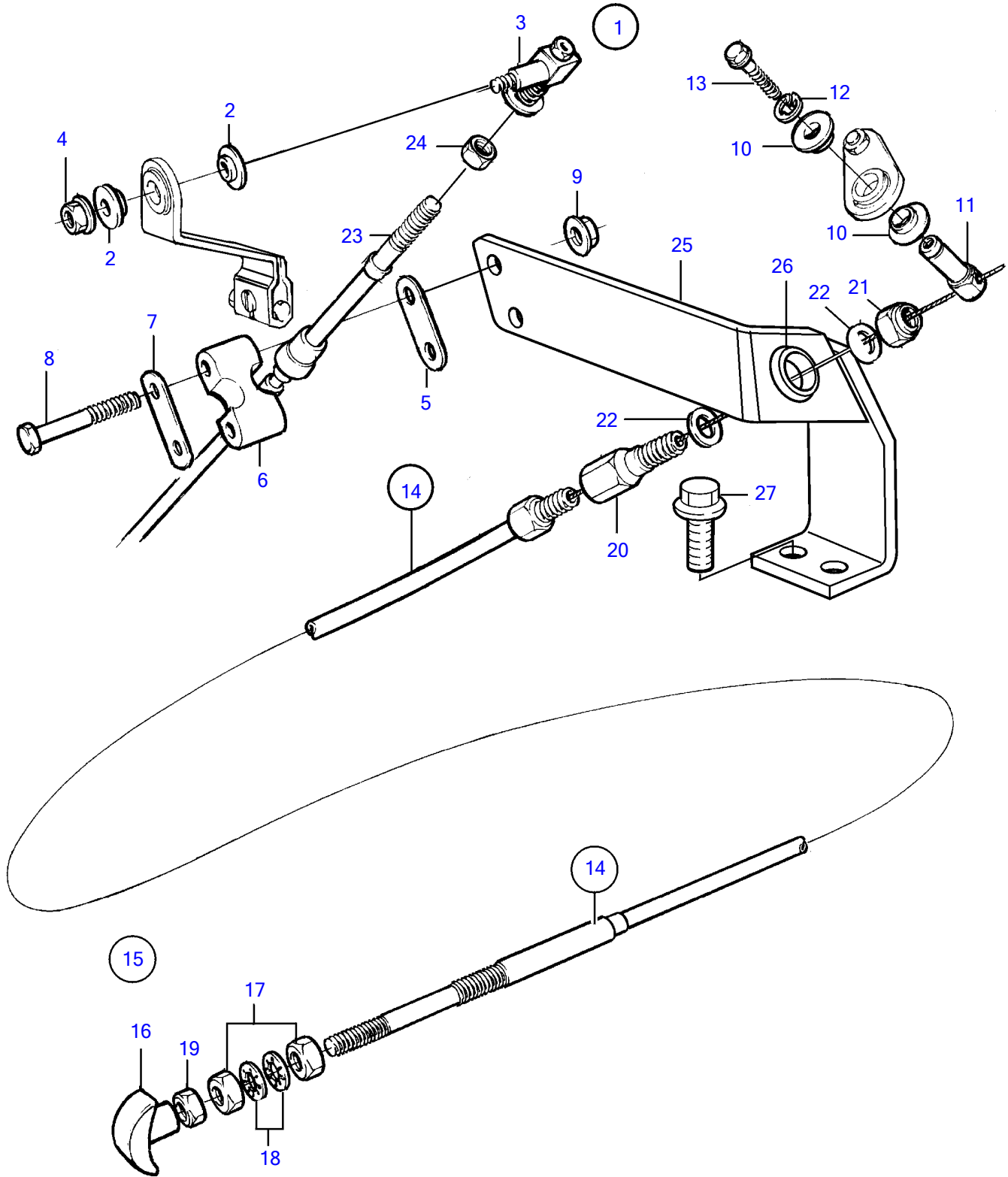


MD2010B, MD2020B



MD2010B, MD2020B

REF	PART NO.	QTY	DESCRIPTION	SEE SEC.	NOTES
1		1	Connector kit		
2	843105	2	• Spacer washer		
3	840692	1	• Cube		
4	949874	1	• Flange lock nut		(946577)
5	872076	1	• Washer		
6	872074	1	• Retainer		
7	819068	1	• Washer		
8	969439	2	• 6 point socket screw		(955251)
9	949874	2	• Flange lock nut		(946577)
10	843105	2	• Spacer washer		
11	861479	1	• Cable clamp		
12	951669	1	• E-circlip		
13	969556	1	• 6 point socket screw		(955229)
14	825765	1	Choke control		L=3,3m
			• Bulletin P-27-6-2	P-27-6-2-EN	End of Production - Stop Cables
14	825764	1	Choke control		L=6,9m
			• Bulletin P-27-6-2	P-27-6-2-EN	End of Production - Stop Cables
15	(818478)	1	• Push pull control		For L=3,3m, Obsolete part
	(818470)	1	• Push pull control		For L=6,9m, Obsolete part
16	(829241)	1	• • Handle		Obsolete part
17	955857	2	• • Hexagon nut		
18	955950	2	• • Toothed washer		
19	955844	1	• • Hexagon nut		
20	829070	1	• Cable lock		
21	945467	1	• Lock nut		
22	955894	2	• Washer		
23		1	Control cable	231	
24		1	• Nut		
25	3580116	1	Anchorage		
26	843109	1	Bushing		
27	946173	2	Flange screw		(861844)