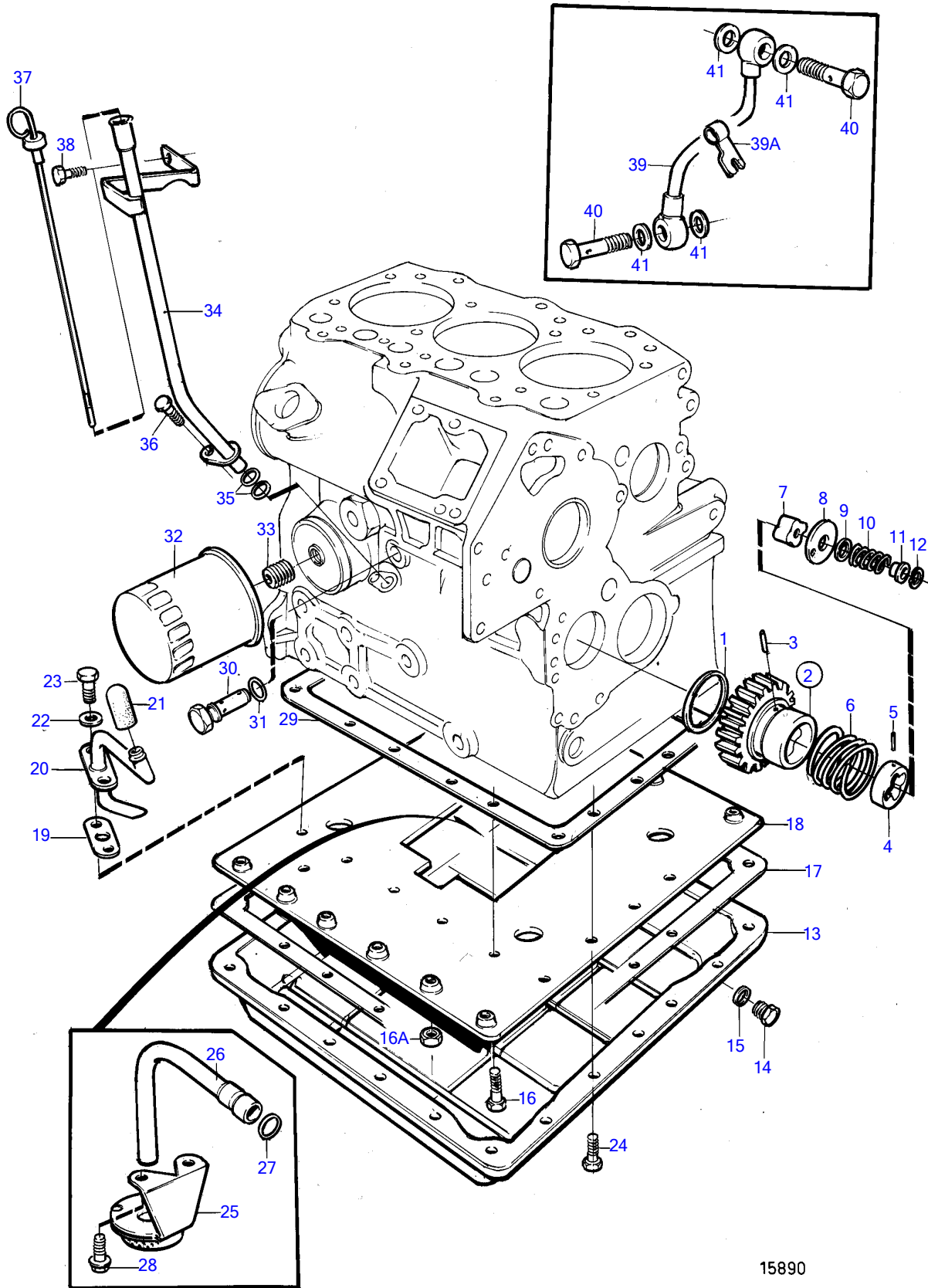


MD2040A



15890

## MD2040A

REF	PART NO.	QTY	DESCRIPTION	NOTES
1	861986	1	Thrust washer	
2	3580569	1	Gear	Replaced by 21541021
	21541021	1	Oil pump	
3		1	• Pin	
4		1	• Rotor, outer	
5		1	• Pin	
6	861988	1	• Spring	
7	3580570	1	Rotor	Replaced by 21541021
	21541021		Oil pump	
8	861527	1	Cardboard tube	
9	861528	X	Shim	TH=0.10mm
	861529	X	Shim	TH=0.15mm
	861530	X	Shim	TH=0,20mm
	861531	X	Shim	TH=0,50mm
10	861532	1	Spring	
11	861533	1	Sleeve	
12	861534	1	Lock ring	
13	3580467	1	Sump	
14	861834	1	Screw	
15	861835	1	Washer	
16	861833	8	Screw	
16A	945407	4	Flange nut	(861915)
17	3580468	1	Gasket	
18	3580469	1	Plate	
19	861838	1	Gasket	
20	3580470	1	Tube	
21	1276516	1	Rubber cap	
22	11991	2	Gasket	(861841)
23	861842	2	Screw	
24	861842	30	Screw	
25	861999	1	Oil filter	
26	3580573	1	Suction pipe	
27	861997	1	O-ring	
28	861526	2	Screw	
29	3580462	1	Gasket	
30	861829	1	Reduction valve	
31	861830	1	O-ring	
32	3840525	1	Oil filter	(3580454)
33	861825	1	Bolt	
34	3580474	1	Tube	
35	861851	2	O-ring	
36	861852	1	Screw	
37	3580298	1	Oil dipstick	
38	861854	1	Screw	
39	3580494	1	Oil pipe	
39A		1	• Clamp	
40	861872	2	Hollow screw	
41	11992	4	Gasket	(861868)