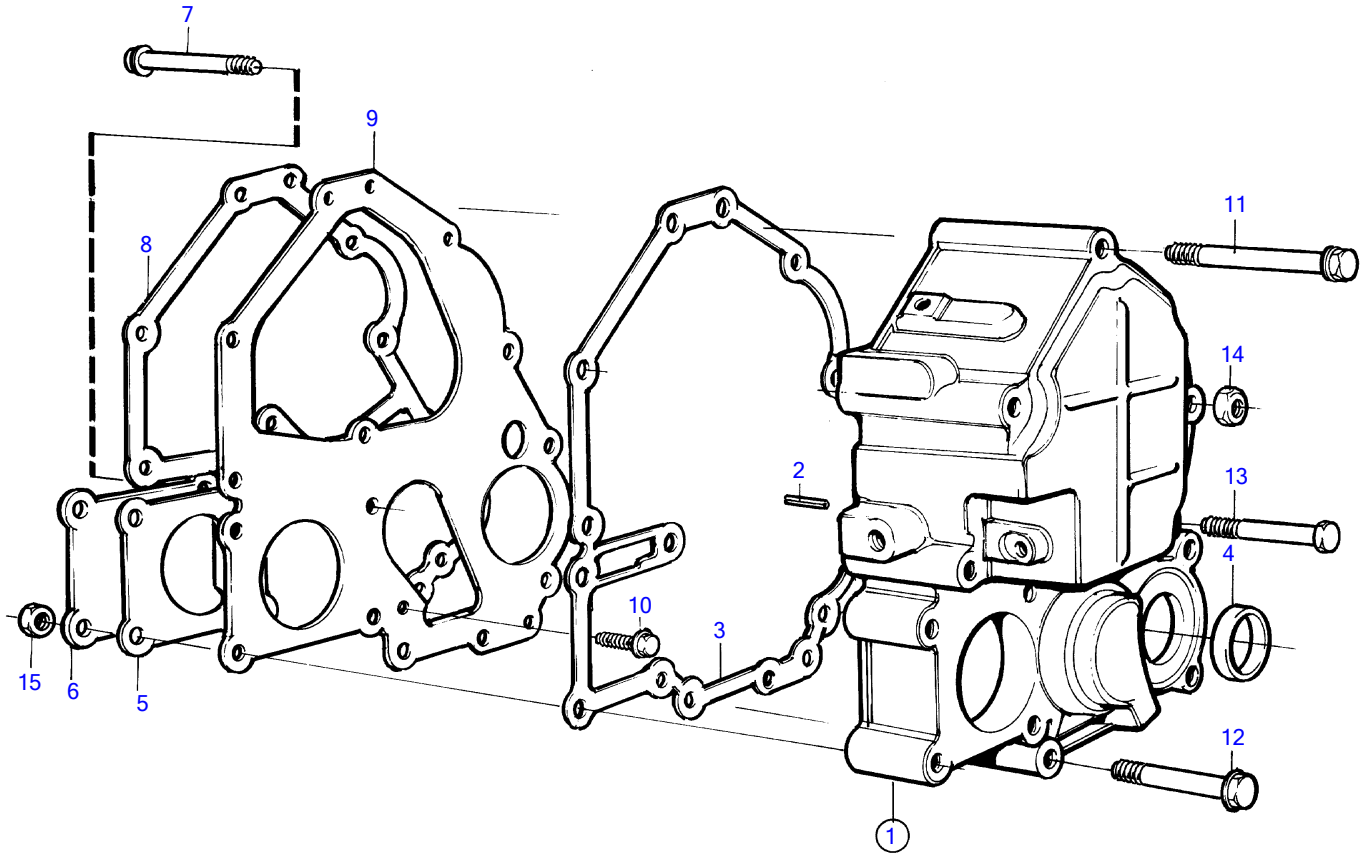


MD2010A, MD2020A



15033

MD2010A, MD2020A

REF	PART NO.	QTY	DESCRIPTION	NOTES
1	3580023	1	Timing gear casing	
2		1	• Tensioning din	
3	3580025	1	Gasket	
4	3580026	1	Sealing ring	
5	3580060	1	Gasket	
6	3580059	1	Cardboard tube	
7	3580052	2	Screw	
8	861536	1	Gasket	
9	861535	1	Front plate	
10	861852	3	Screw	
11	861899	2	Screw	(3580055)
12	3580053	4	Screw	
13	3580054	2	Screw	
14	945407	1	Flange nut	(861915)
15	948645	2	Flange lock nut	