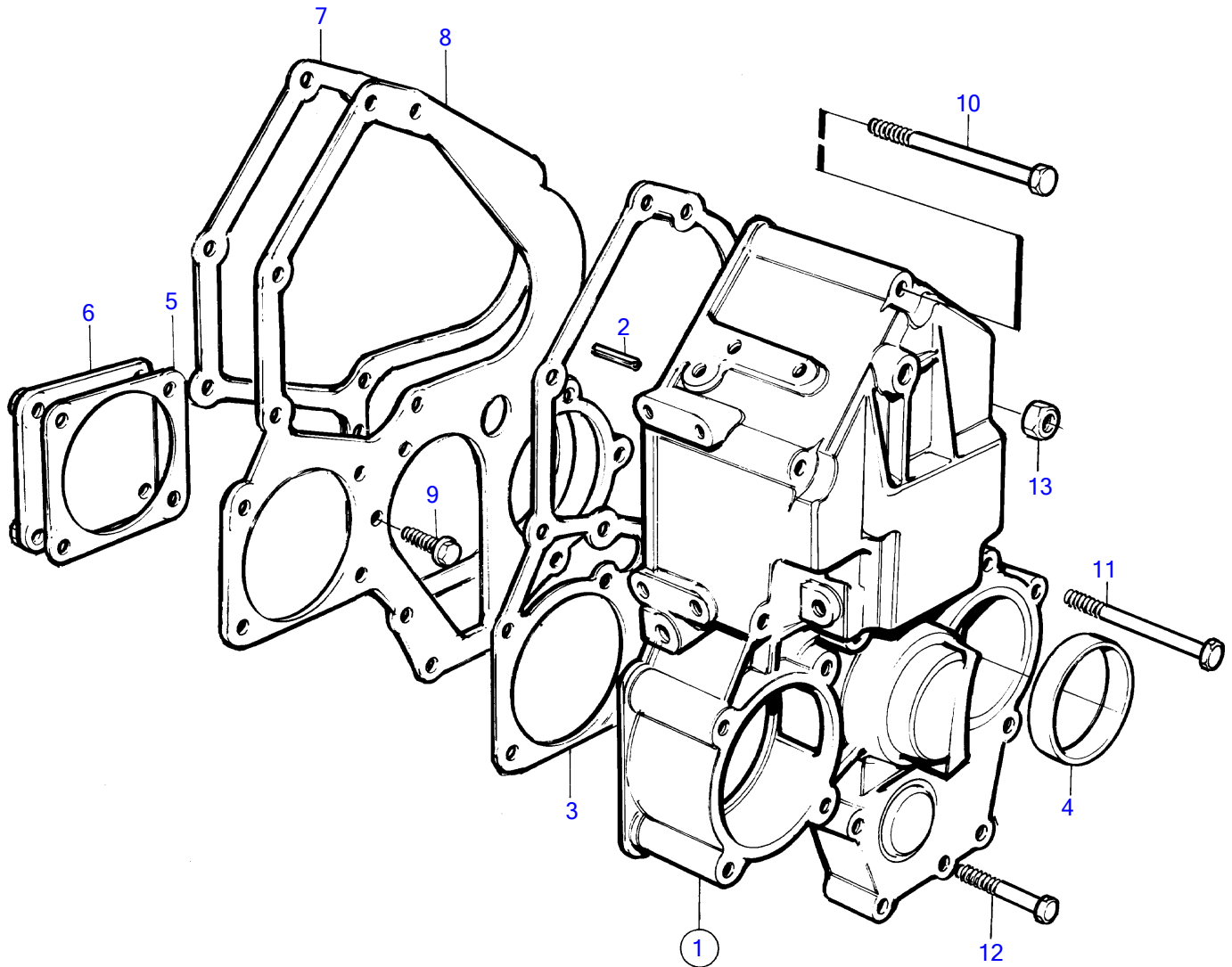


MD2040A



15035

MD2040A

REF	PART NO.	QTY	DESCRIPTION	NOTES
1	3580584	1	Timing gear casing	
2		1	• Tensioning din	
3	3580585	1	Gasket	
4	3580586	1	Sealing ring	
5	3580378	1	Gasket	
6	3580377	1	Cardboard tube	
7	3580572	1	Gasket	
8	3580571	1	Front plate	
9	861852	3	Screw	
10	861899	2	Screw	
11	3580054	5	Screw	
12	3580371	6	Screw	
13	945407	4	Flange nut	(861915)