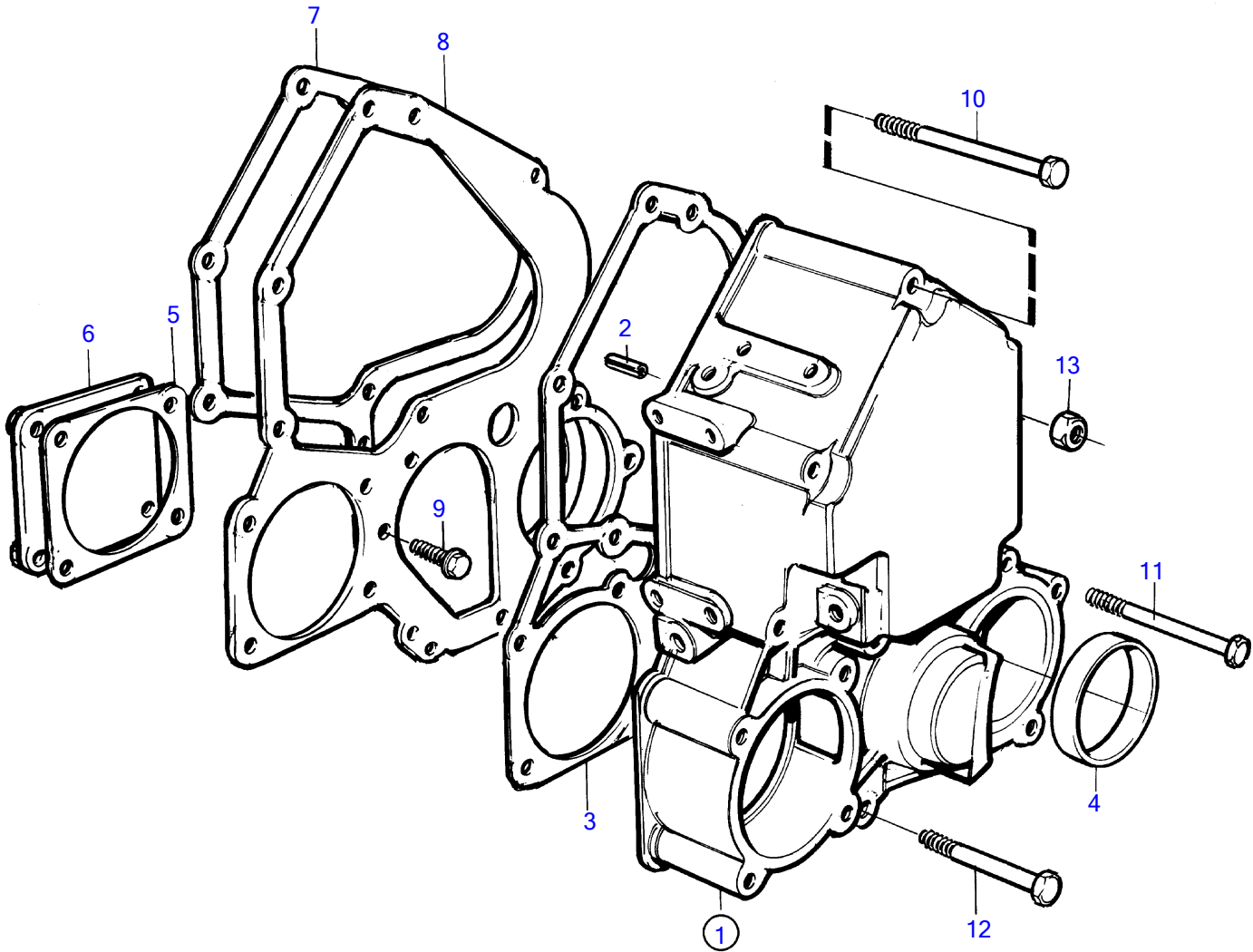


MD2030A



15034

MD2030A

REF	PART NO.	QTY	DESCRIPTION	NOTES
1	3580373	1	Timing gear casing	
2		1	• Tensioning din	
3	3580374	1	Gasket	
4	3580026	1	Sealing ring	
5	3580378	1	Gasket	
6	3580377	1	Cardboard tube	
7	3580360	1	Gasket	
8	3580359	1	Front plate	
9	861852	3	Screw	
10	861899	2	Screw	(9580055)
11	3580054	2	Screw	
12	3580053	4	Screw	
13	945407	1	Flange nut	