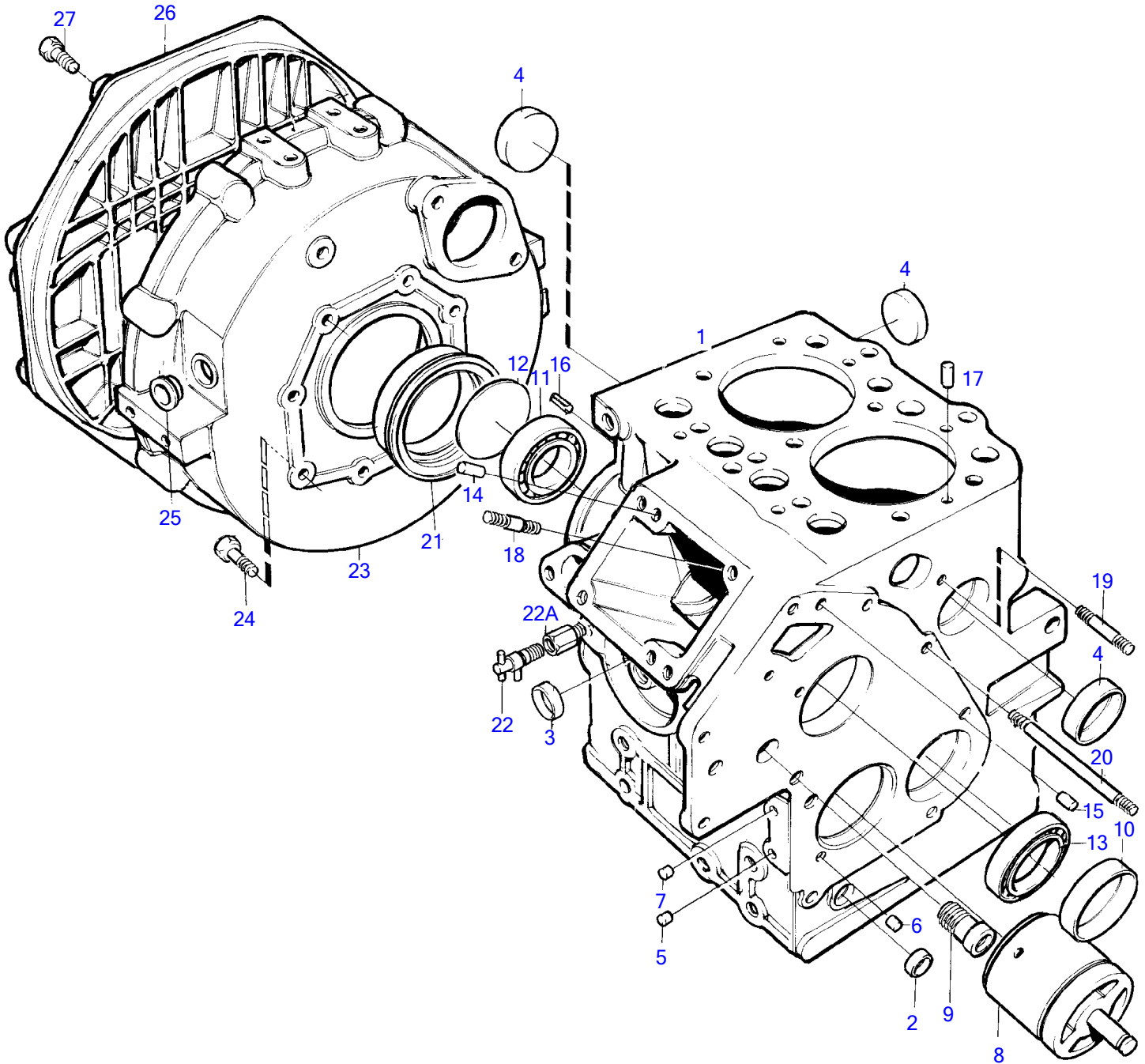


MD2010A



16126

MD2010A

REF	PART NO.	QTY	DESCRIPTION	NOTES
1	(861800)	1	Cylinder block	Obsolete part
2	861801	1	• Plug	
3	861802	2	• Plug	
4	861803	3	• Plug	
5	3807215	4	• Plug	
6	861805	1	• Plug	
7	861806	4	• Plug	
8	(861807)	1	• Shaft	Replaced by 21541017, Obsolete part
	21541017	1	Oil pump	
9		1	• Bushing	
10	3809705	1	• Bushing	Std D
	861810	1	• Main bearing	O.S=0,25mm
	861811	1	• Main bearing	O.S=0.50mm
11	861812	1	• Bearing	
12	861813	1	• Expansion plug	
13	861814	1	• Bearing	
14		2	• Pin	
15		2	• Dowel	
16		2	• Pin	
17	861818	2	• Spring pin	
18	861819	2	• Stud	
19	861820	1	• Stud	
20	3583709	1	• Stud	
21	861823	1	Sealing ring	
22	861824	1	Faucet	
22A	861831	1	Connector	
23	3581775	1	Flywheel housing	
24	946173	8	Flange screw	
25	861848	1	Plug	
26	840714	1	Flywheel housing	
27	946173	8	Flange screw	