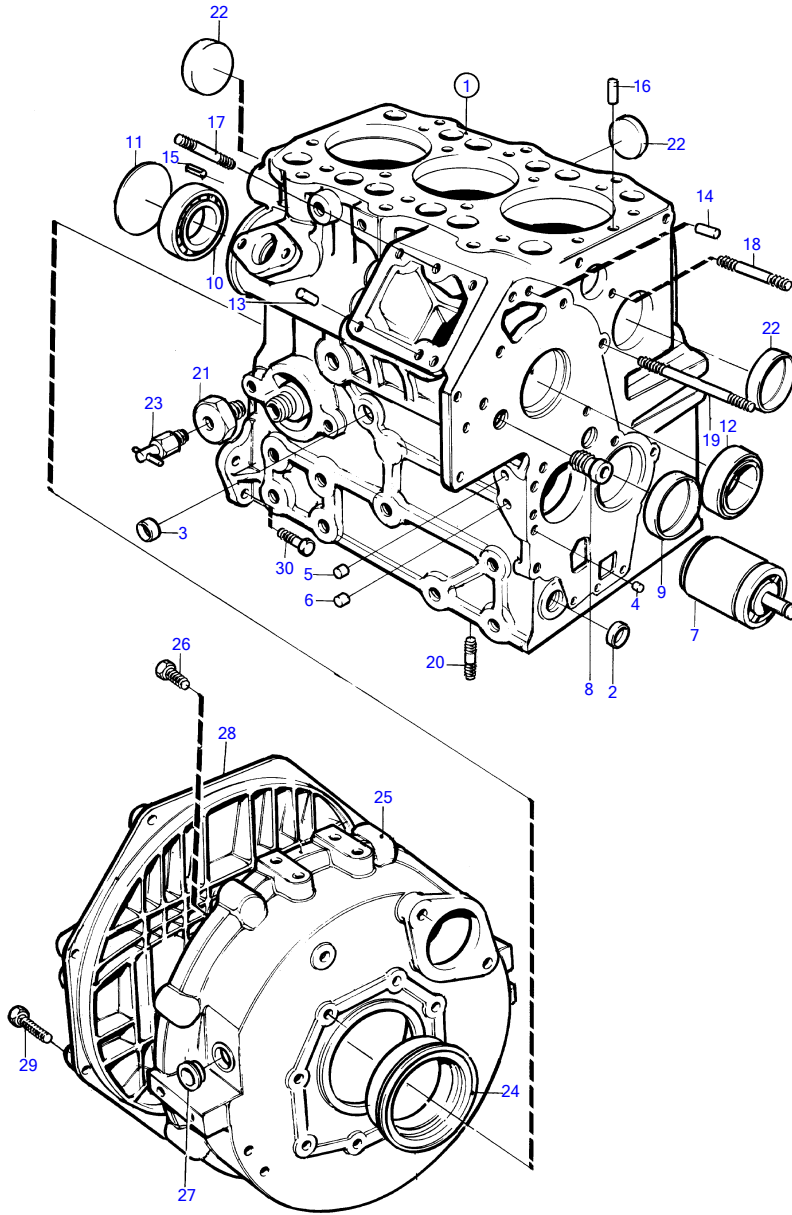


MD2040A



15032

MD2040A

REF	PART NO.	QTY	DESCRIPTION	NOTES
1	3580381	1	Cylinder block	
2	861801	1	• Plug	
3	3583696	1	• Plug	
4	3580282	4	• Plug	
5	861806	2	• Plug	
6	3807215	4	• Plug	(3580456)
7	(3583704)	1	• Shaft	(3580457), Replaced by 21541021, Obsolete part
	21541021	1	Oil pump	
8		1	• Bushing	
9	3580458	1	• Main bearing	Std D
	3580459	1	• Main bearing	O.S=0,25mm
	3580460	1	• Main bearing	O.S=0.50mm
10	861812	1	• Bearing	
11	861813	1	• Expansion plug	
12	3580461	1	• Bearing	
13		2	• Pin	
14		2	• Dowel	
15		2	• Pin	
16	861818	2	• Spring pin	
17	953042	2	• Stud	
18	3583708	1	• Stud	
19	3583709	1	• Stud	
20	(3580466)	4	• Stud	Obsolete part
21	3580290	1	• Bushing	
22		3	• Plug	
23	861824	1	Faucet	
24	3580463	1	Sealing ring	
25	3580471	1	Flywheel housing	
26	946173	8	Flange screw	
27	861848	2	Plug	
28	840714	1	Flywheel housing	
29	946173	8	Flange screw	
30	946472	4	Flange screw	

7746800-21-142

15032

Upd:2012-05-07

MD2010A, MD2020A, MD2030A, MD2040A, MS2B-R, MS2A-D, MS2A-E, MS2L-D, MS2L-E, 120S-D, 120S-E

VOLVO
PENTA