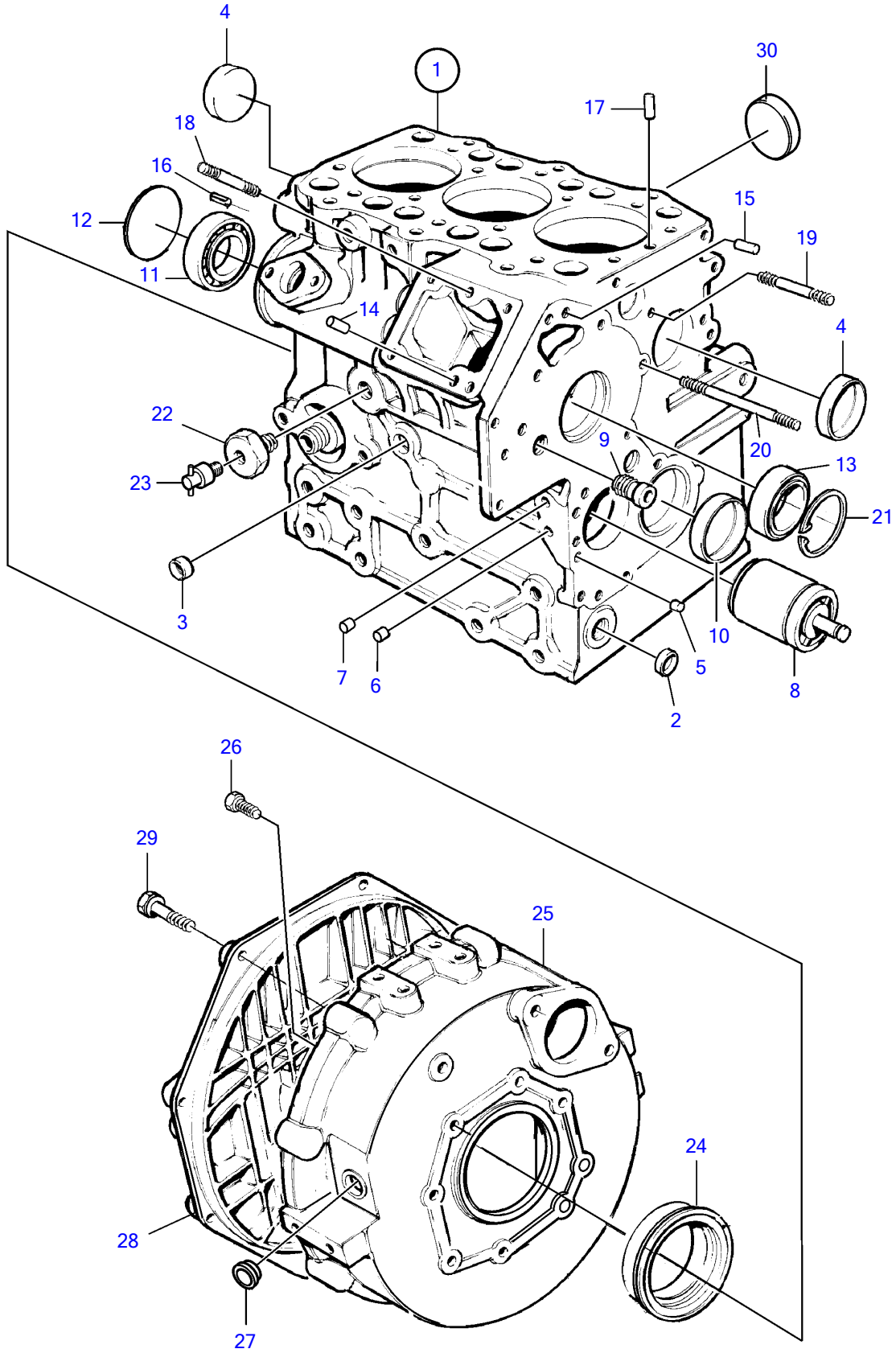


MD2030A



MD2030A

REF	PART NO.	QTY	DESCRIPTION	NOTES
1	3580273	1	Cylinder block	Replaced by 3583207
	3582307	1	Cylinder block	
2	3886427	1	• Cardboard tube	
3	3583696	1	• Plug	
4	3583697	2	• Plug	
5	861805	1	• Plug	
6	3807215	4	• Plug	
7	861806	4	• Plug	
8	(3580283)	1	• Shaft	Obsolete part, Replaced by 21541015
	21541015	1	Oil pump	
9		1	• Bushing	
10	3580284	1	• Main bearing	Std D
	3580285	1	• Main bearing	Replaced by 21255742
	21255742	1	• Main bearing	U.S=0,25mm
	3580286	1	• Main bearing	U.S=0,50mm
11	861812	1	• Bearing	Replaced by 11010
	11010	1	• Ball bearing	
12	861813	1	• Expansion plug	
13	861814	1	• Bearing	
14		2	• Pin	
15		2	• Dowel	
16		2	• Pin	
17	861818	2	• Spring pin	
18	861819	2	• Stud	
19	3583708	1	• Stud	
20	3583709	1	• Stud	
21	3580226	1	Lock ring	
22	3580290	1	Bushing	
23	861824	1	Faucet	
24	861823	1	Sealing ring	
25	(3580294)	1	Flywheel housing	Obsolete part
26	946471	8	Flange screw	
27	861848	2	Plug	
28	840714	1	Flywheel housing	
29	946173	8	Flange screw	
30	21281430	2	Plug	

7746800-21-141

15031

Upd:2012-05-07

MD2010A, MD2020A, MD2030A, MD2040A, MS2B-R, MS2A-D, MS2A-E, MS2L-D, MS2L-E, 120S-D, 120S-E

VOLVO
PENTA