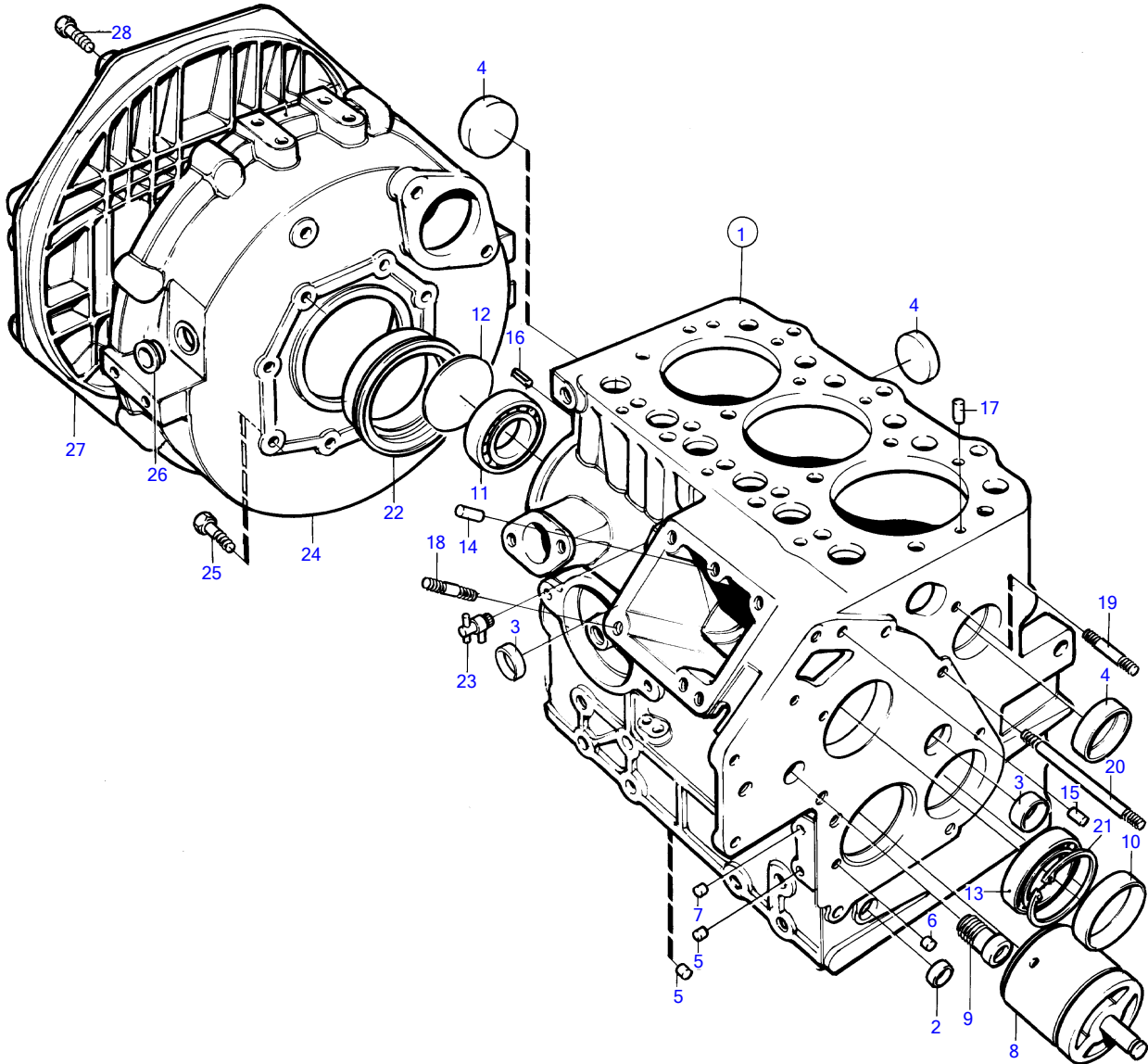


MD2020A



11678

MD2020A

REF	PART NO.	QTY	DESCRIPTION	NOTES
1	3582306	1	Cylinder block	
2	861801	1	• Plug	
3	861802	2	• Plug	
4	861803	4	• Plug	
5	3807215	5	• Plug	
6	861805	1	• Plug	
7	861806	4	• Plug	
8	(861807)	1	• Shaft	Replaced by 21541017, Obsolete part
	21541017	1	Oil pump	
9		1	• Bushing	
10	3809705	1	• Bushing	Std D
	861810	1	• Main bearing	O.S=0,25mm
	861811	1	• Main bearing	O.S=0.50mm
11	861812	1	• Bearing	
12	861813	1	• Expansion plug	
13	861814	1	• Bearing	
14		2	• Pin	
15		2	• Dowel	
16		2	• Pin	
17	861818	2	• Spring pin	
18	861819	2	• Stud	
19	3583708	1	• Stud	
20	3583709	1	• Stud	
21	3580226	1	• Lock ring	
22	861823	1	Sealing ring	
23	861824	1	Faucet	
24	3581775	1	Flywheel housing	
25	946173	8	Flange screw	
26	861848	1	Plug	
27	840714	1	Flywheel housing	
28	946173	8	Flange screw	

7746800-21-140

11678

Upd:2012-05-07

MD2010A, MD2020A, MD2030A, MD2040A, MS2B-R, MS2A-D, MS2A-E, MS2L-D, MS2L-E, 120S-D, 120S-E

VOLVO
PENTA