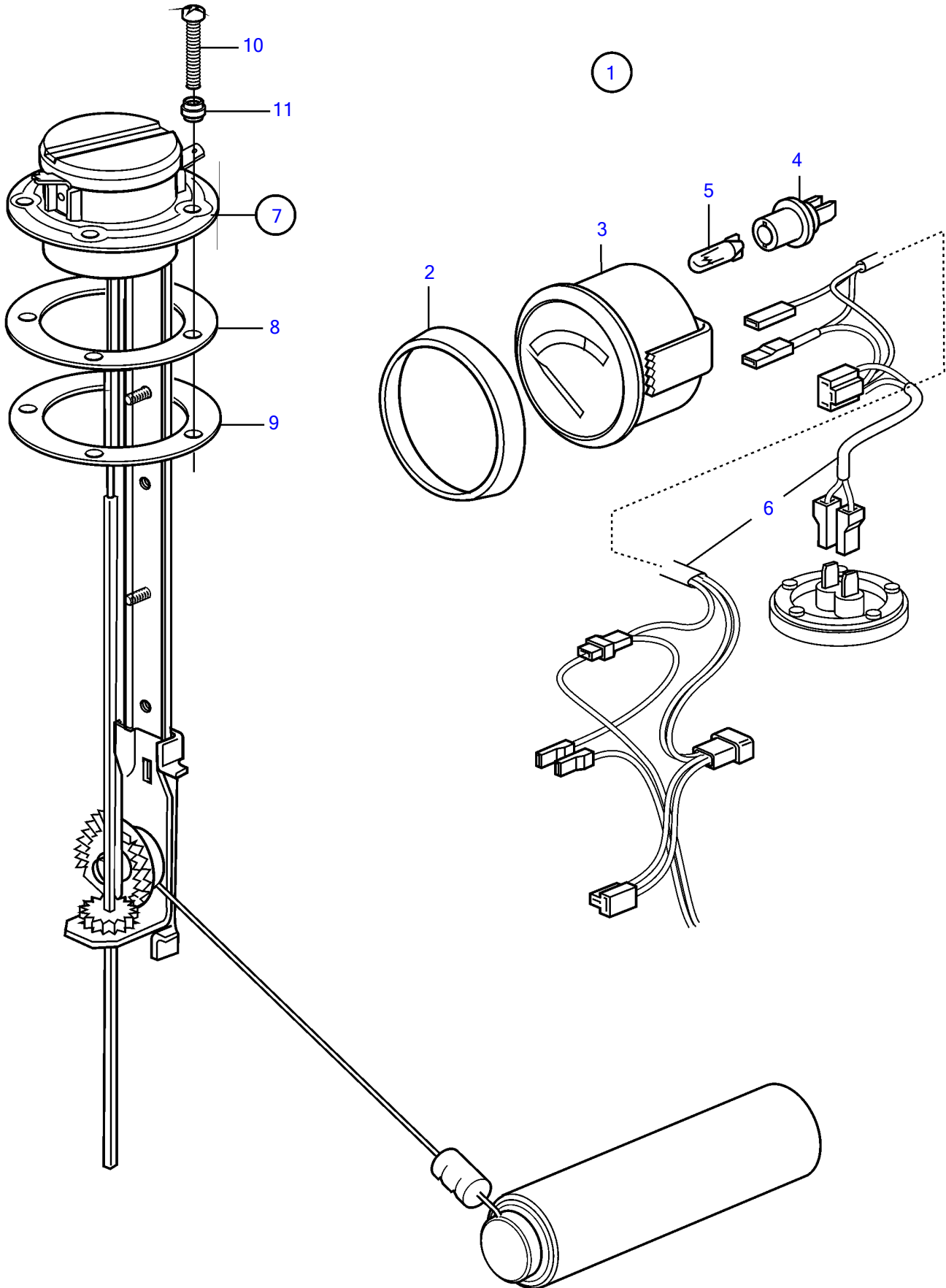


MD2010A, MD2020A, MD2030A, MD2040A



MD2010A, MD2020A, MD2030A, MD2040A

REF	PART NO.	QTY	DESCRIPTION	NOTES
1	873808	1	Fuel gauge	12V (858879)
2	858643	1	• Front ring	
3	863940	1	• Fuel gauge	
4	863945	1	• • Lamp socket	Use white bulb 19923 and socket 808175 for earlier gauges.
5	863946	1	• • Bulb	Use white bulb 19923 and socket 808175 for earlier gauges., 12V, 1,2W red
6	856867	1	• Cable kit	
7	873772	1	• Tank sensor	(837999)
8	89865	1	• • Gasket	
9	834480	1	• • Flange	
10	969407	4	• • 6 point socket screw	(956078)
	969409	1	• • 6 point socket screw	
11	834481	5	• • Gasket	