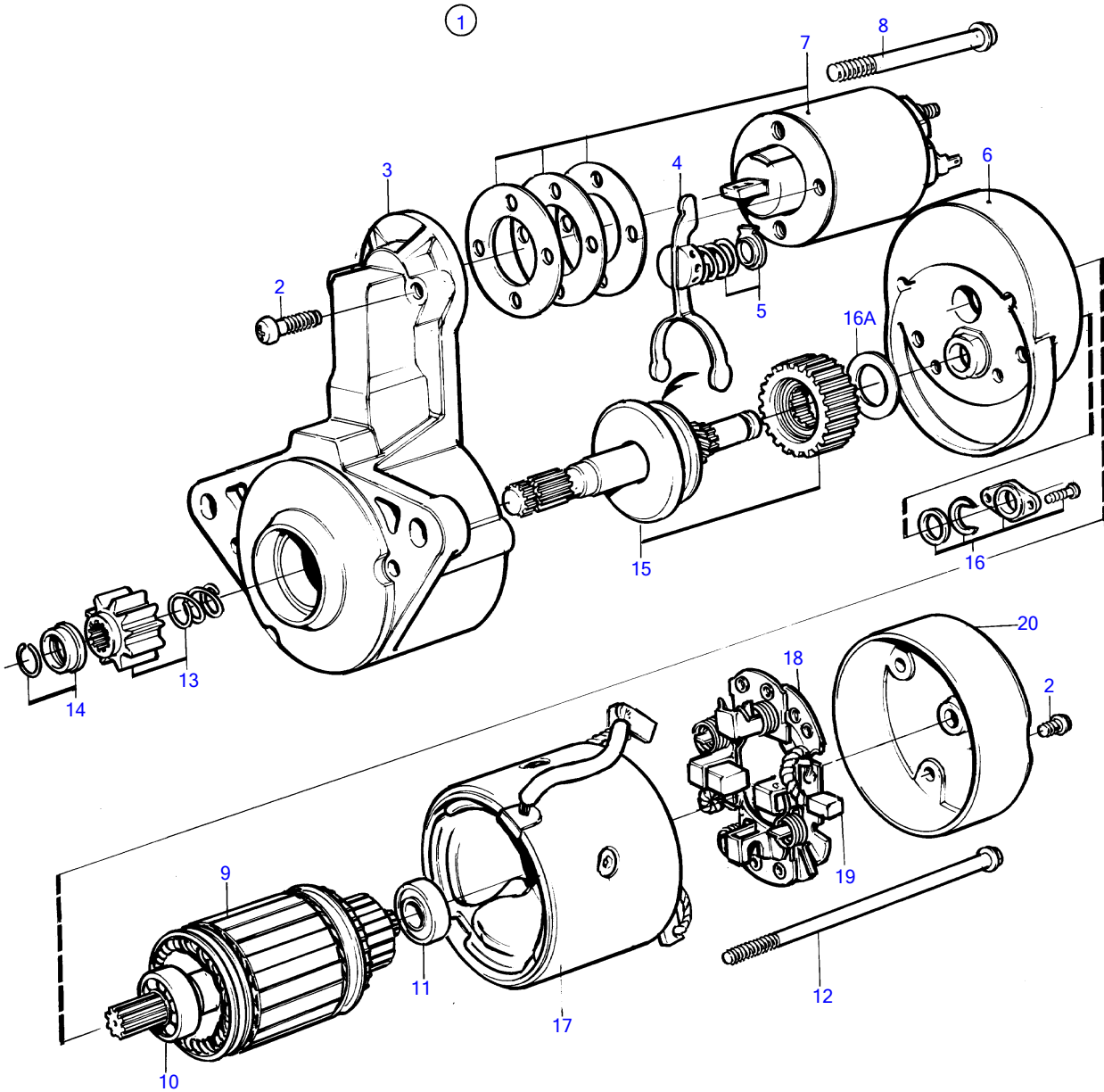


MD2040A



11675

MD2040A

REF	PART NO.	QTY	DESCRIPTION	NOTES
1	3580472	1	Starter motor	
2		1	• Screw kit	
3		1	• Bearing housing	
4		1	• Engagement lever	
5	(3580641)	1	• Spring	Obsolete part
6		1	• Gear housing	
7	(3580643)	1	• Actuator solenoid	Obsolete part
8		1	• Screw	
9		1	• Rotor	
10	(3580646)	1	• Bearing	Obsolete part
11	(3580647)	1	• Bearing	Obsolete part
12		2	• Screw	
13	3580650	1	• Starter pinion	
14		1	• Pinion stop	
15	3580652	1	• Gear	
16	(3580655)	1	• Washer kit	Obsolete part
16A		1	• • Washer	
17		1	• Field winding	
18	(3580657)	1	• Brush retainer	Obsolete part
19		4	• • Spring	
20		1	• Commutator bearing	