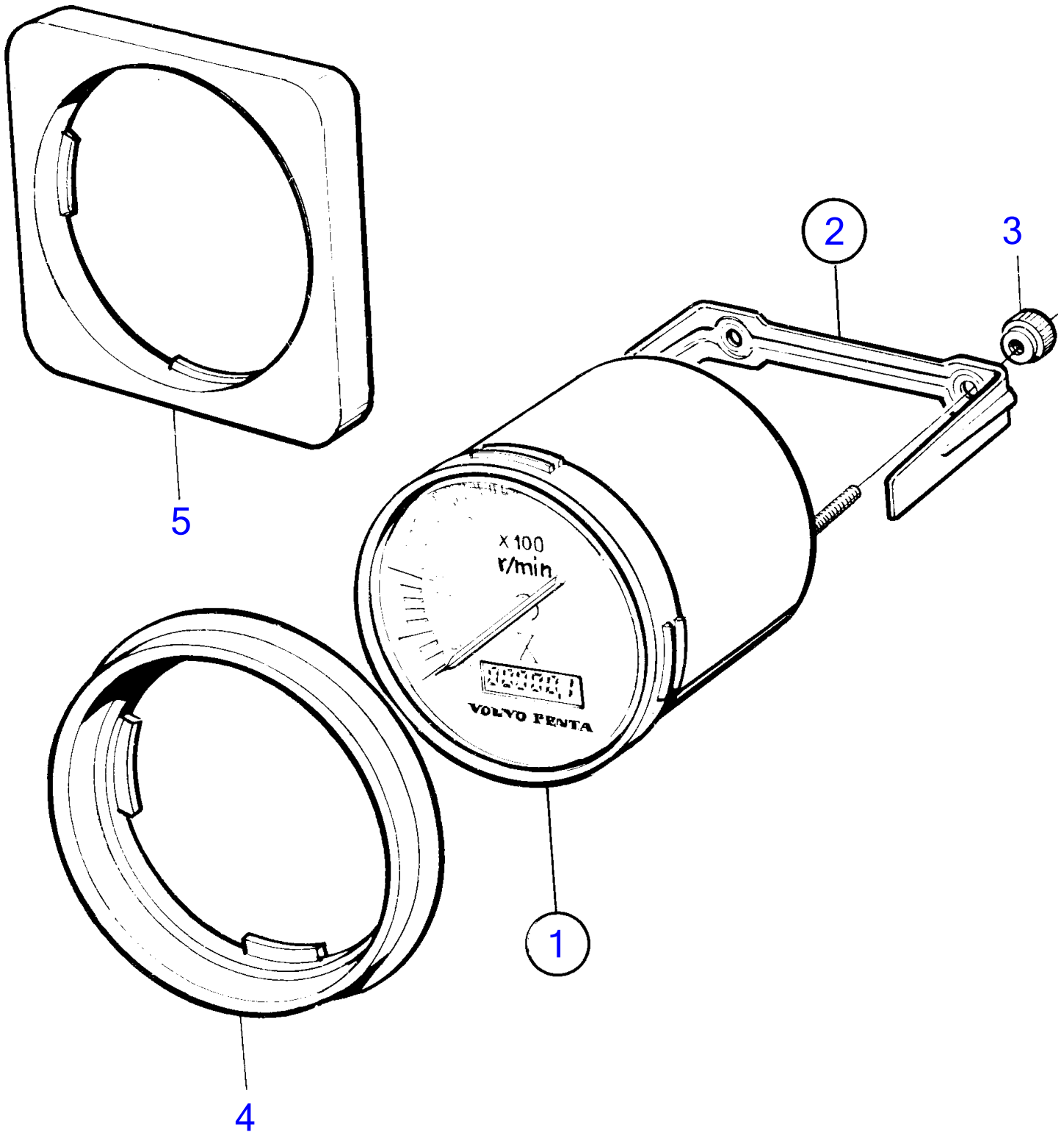


MD2010A, MD2020A, MD2030A, MD2040A



15877

MD2010A, MD2020A, MD2030A, MD2040A

REF	PART NO.	QTY	DESCRIPTION
1		1	Instrument
2	873208	1	Brace kit
3		2	• Nut
4	873517	1	Ring
5	873210	1	Instrument frame