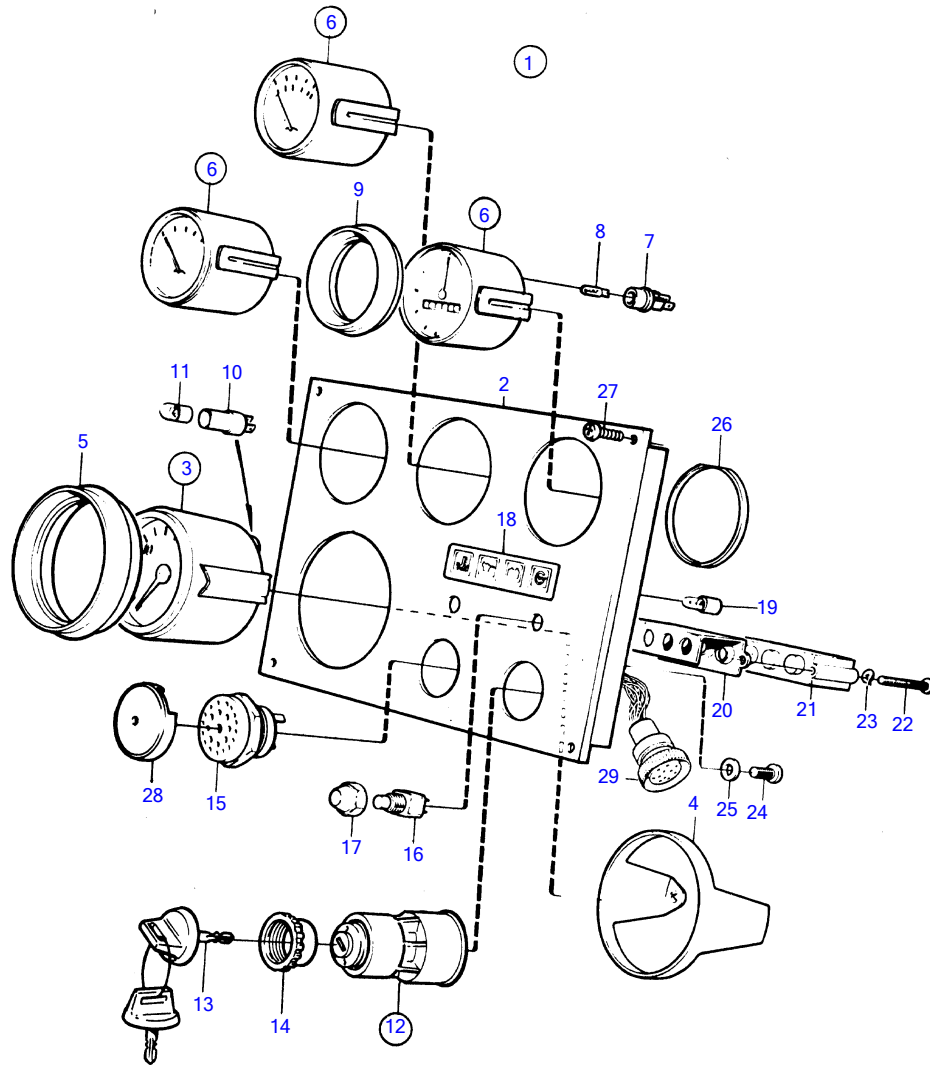


MD2010A, MD2020A, MD2030A, MD2040A



9715

MD2010A, MD2020A, MD2030A, MD2040A

REF	PART NO.	QTY	DESCRIPTION	SEE SEC.	NOTES
1	873138	1	Instrument panel		Replaced by instrument panel 873590, tachometer kit 876751 and sensor kit 873155.
2		1	• Instrument panel		
3	872994	1	• Tachometer		Replaced by tachometer kit 876751, ring 873517 and bracket kit 873208.
4	(828558)	1	• • Attaching ring		Obsolete part
5	858644	1	• Front ring		
6	873195	1	• Thermometer		(863932)
	873197	1	• Oil pressure gauge		(863934)
	873199	1	• Voltmeter		(863930)
7	863945	3	• • Lamp socket		
8	863946	3	• • Bulb		
9	858643	3	• Front ring		
10	808175	1	• Lamp socket		
11	19923	1	• Bulb		
12	864277	1	• Starter switch		
13	859953	2	• • Key		State key code when ordering
			• Bulletin 49-30	49-30-EN	Key P/N 859953
14	859955	1	• • Plastic nut		
15	828587	1	• Buzzer		
16	828584	1	• Toggle switch		Alarm test
	828585	1	• Toggle switch		Instrument illumination
17	828586	2	• Nut		
18	858645	1	• Symbol strip		
19	19923	4	• Bulb		
20	828784	1	• Reflector		
21	873209	1	• Electronic unit		(828783)
22	(941615)	2	• Cross recessed screw		Obsolete part
23	941904	2	• Spring washer		
24	949947	1	• Cross recessed screw		
25	941904	1	• Spring washer		
26	828803	3	• Guide ring		
27	828647	4	• Screw		
28	858795	1	• Protecting casing		
29		X	• electrical materials	1963	