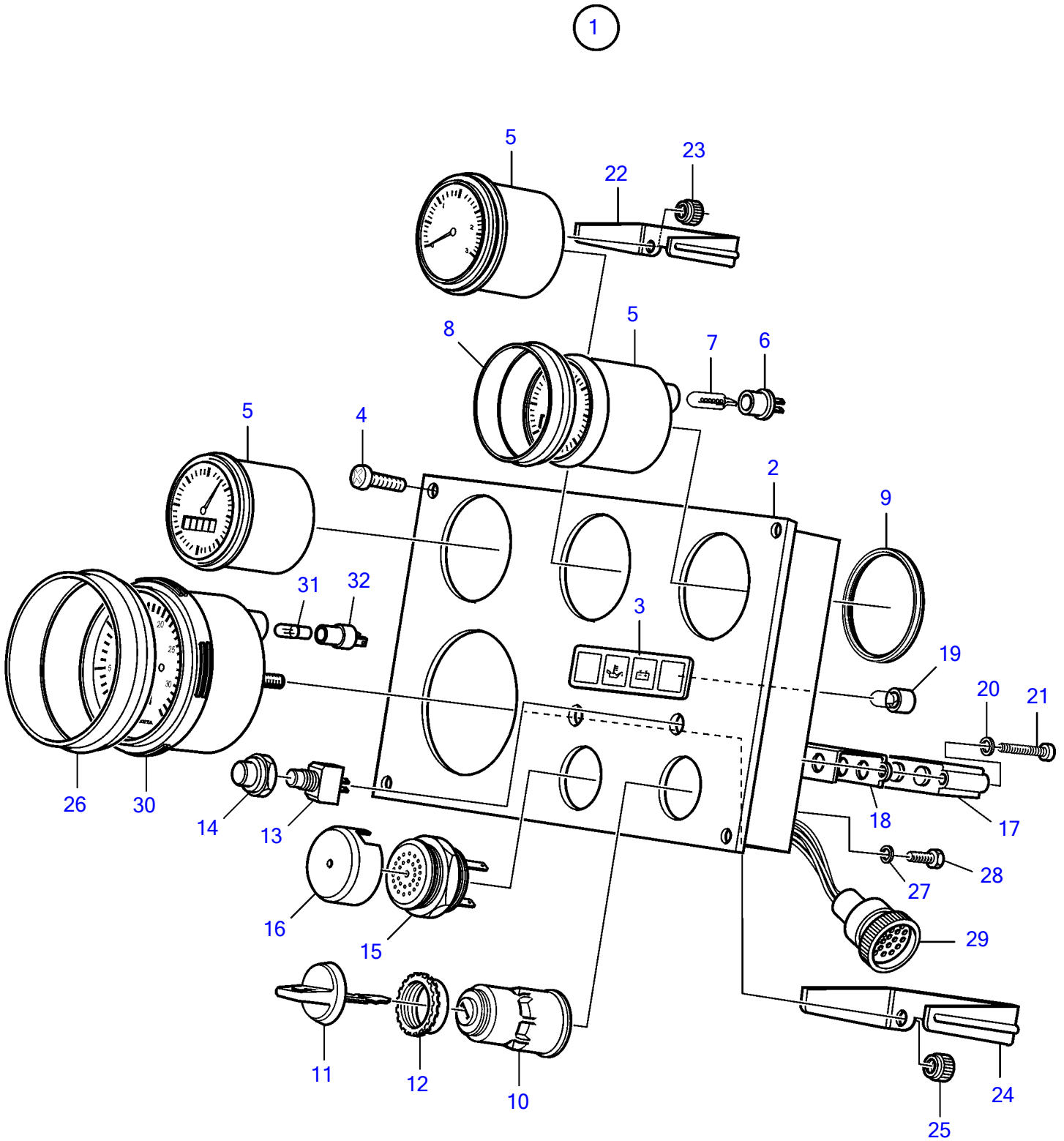


MD2010A, MD2020A, MD2030A, MD2040A



23065

MD2010A, MD2020A, MD2030A, MD2040A

REF	PART NO.	QTY	DESCRIPTION	SEE SEC.	NOTES
1	3587074	1	Instrument panel		(873590)
2		1	• Instrument panel		(860182)
3	858645	1	• Symbol strip		
4	828647	4	• Screw		
5	873195	1	• Thermometer		
	873197	1	• Oil pressure gauge		
	873199	1	• Voltmeter		
6	863945	3	• • Lamp socket		
7	863946	3	• • Bulb		12V, 1,2W red
8	858643	3	• Front ring		D=52mm
9	828803	3	• Guide ring		
10	3587072	1	• Starter switch		(864277)
11	859953	2	• • Key		State key code when ordering
			• Bulletin 49-30	49-30-EN	Key P/N 859953
12	859955	1	• • Plastic nut		
13	828584	1	• Toggle switch		Test alarm
	828585	1	• Toggle switch		Instr. light
14	828586	2	• Nut		
15	828587	1	• Buzzer		
16	858795	1	• Protecting casing		
17	873737	1	• Electronic unit		
18	828784	1	• Reflector		
19	19923	4	• Bulb		12V
20	941904	2	• Spring washer		
21	(941615)	2	• Cross recessed screw		Obsolete part
22	873207	3	• Brace kit		
23		6	• • Nut		
24	873208	1	• Brace kit		
25		2	• • Nut		
26	873517	1	• Ring		D=72mm
27	941904	1	• Spring washer		
28	949947	1	• Cross recessed screw		
29	828646	1	• Cable trunk		
30	873992	1	Tachometer kit		4600 rpm
31	863946	1	• Bulb		12V, 1,2W red
32	863945	1	• Lamp socket		