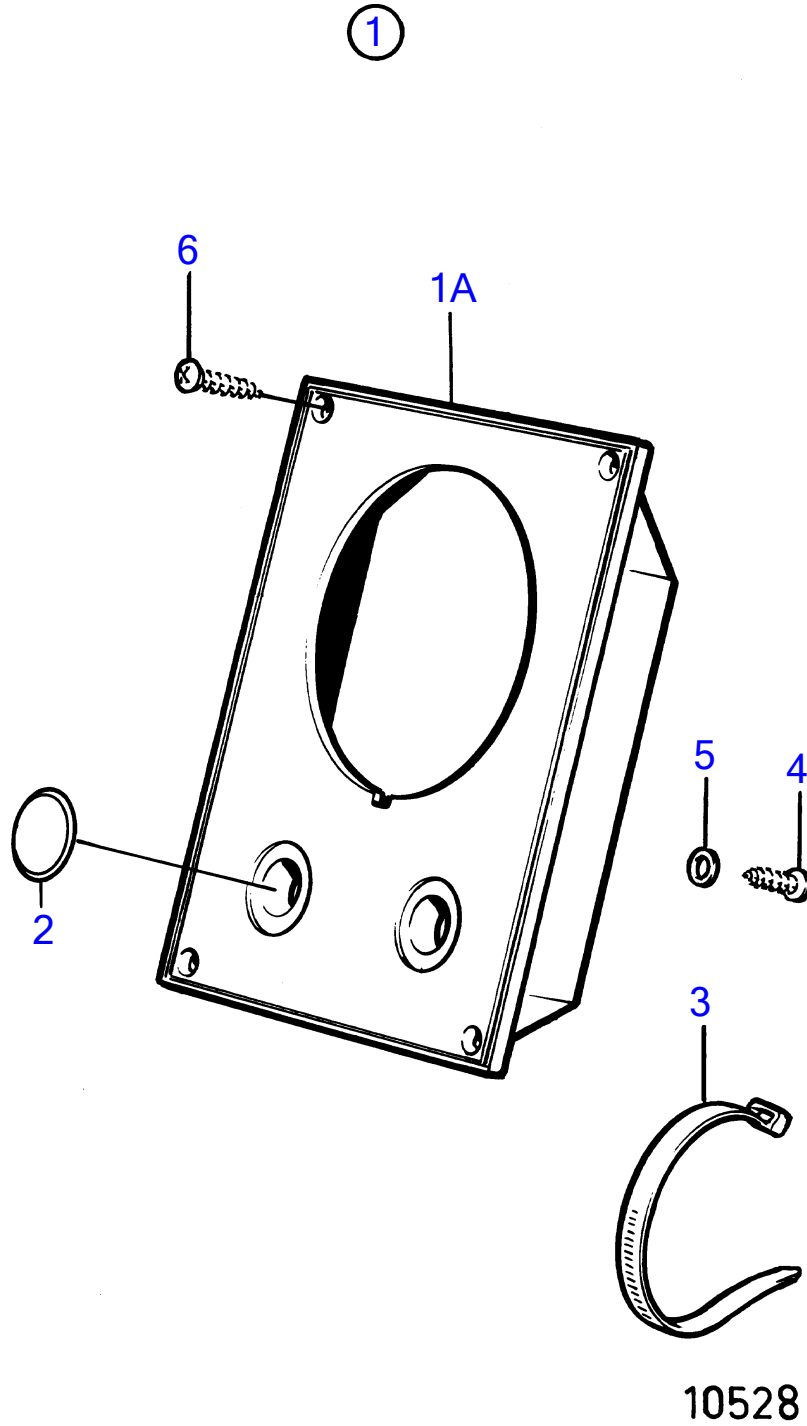


MD2010A, MD2020A, MD2030A, MD2040A



MD2010A, MD2020A, MD2030A, MD2040A

REF	PART NO.	QTY	DESCRIPTION	NOTES
1	(858873)	1	Instrument panel	For instruments with D=52mm., Obsolete part
1A	(858873)	1	• Instrument panel	Replaced by 858873, Obsolete part
2	828607	2	• Cover plate	
3	949666	1	• Cable tie	
4	949947	1	• Cross recessed screw	
5	941904	1	• Spring washer	
6	828647	4	• Screw	