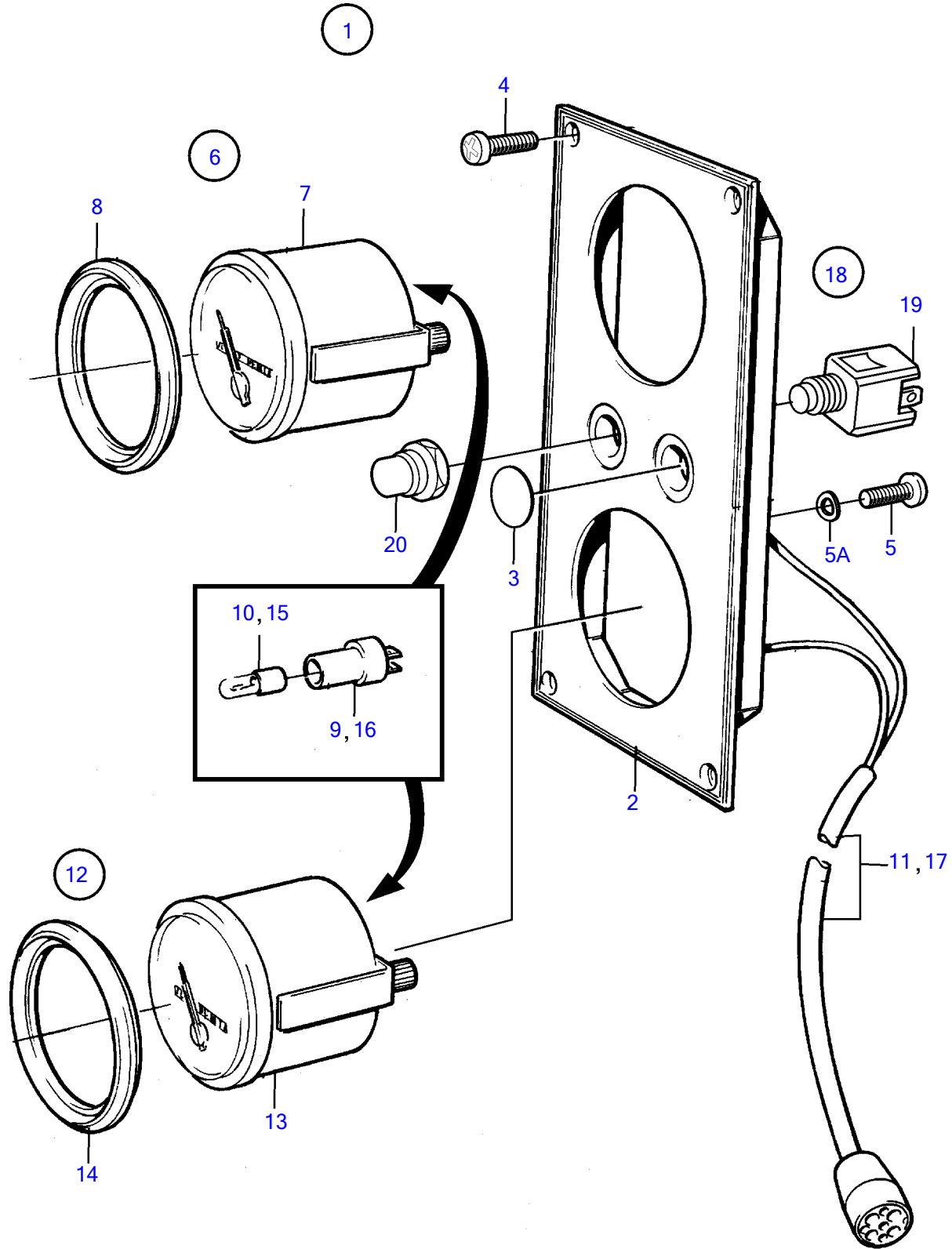


MD2010A, MD2020A, MD2030A, MD2040A



MD2010A, MD2020A, MD2030A, MD2040A

REF	PART NO.	QTY	DESCRIPTION	SEE SEC.	NOTES
1	(858874)	1	Instrument panel		For instruments with D=52mm., Obsolete part
2		1	• Instrument panel		
3	828607	2	• Cover plate		
4	828647	4	• Screw		
5	949947	1	• Cross recessed screw		
5A	941904	1	• Spring washer		
6	(1140464)	1	Hour recorder		Obsolete part
7	872479	1	• Hour recorder		
8	858643	1	• Front ring		
9	808175	1	• Lamp socket		
10	19923	1	• Bulb		
11		X	• electrical materials	1963	
12	(858878)	1	Voltmeter kit		Obsolete part
13	873199	1	• Voltmeter		
14	858643	1	• Front ring		
15	19923	1	• Bulb		
16	808175	1	• Lamp socket		
17		X	• electrical materials	1963	
18	(828718)	1	Toggle switch		Spring loaded., Obsolete part
	(828719)	1	Toggle switch		On/Off, Obsolete part
19	828584	1	• Toggle switch		For 828718
	828585	1	• Toggle switch		For 828719
20	828586	1	• Nut		