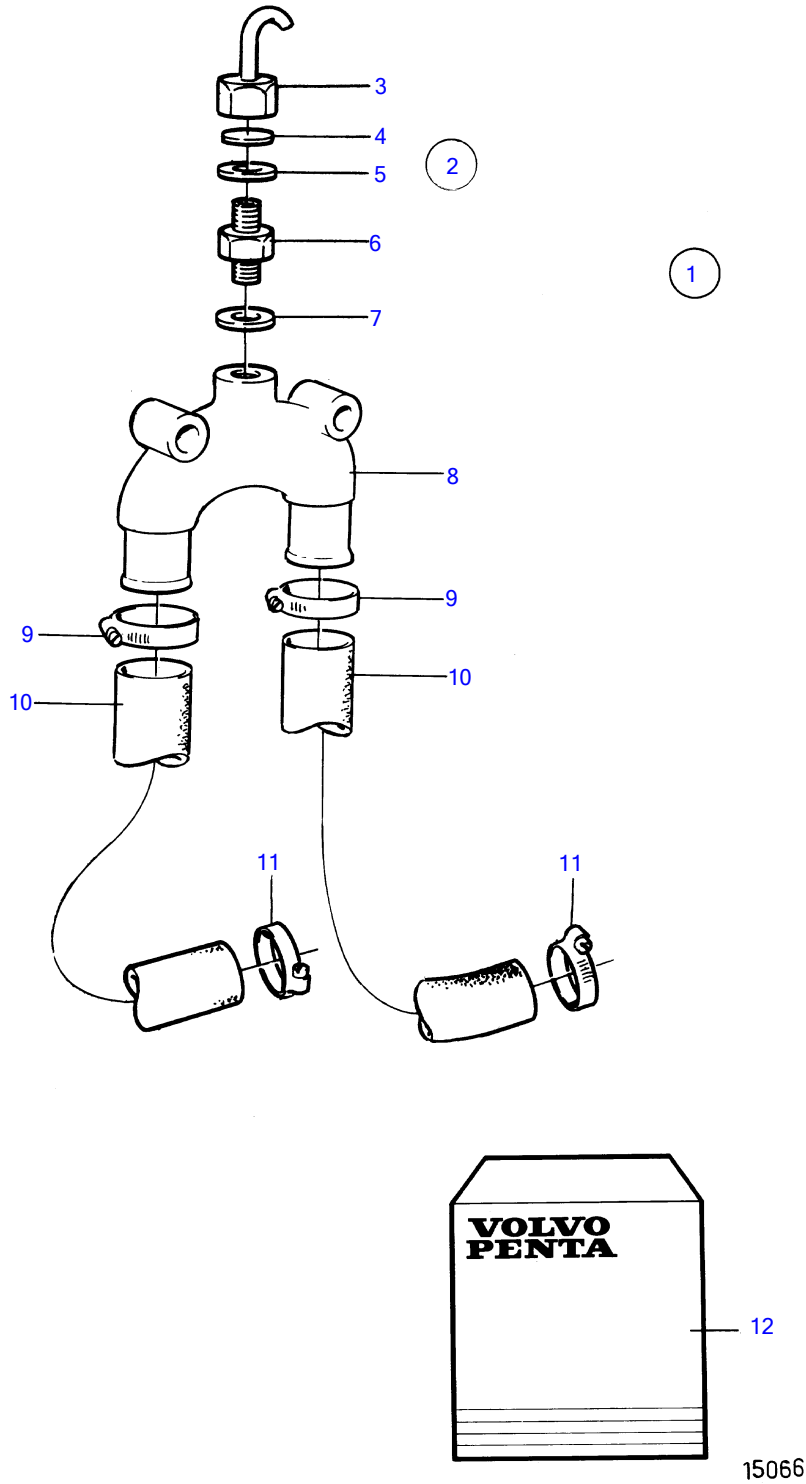


MD2010A, MD2020A, MD2030A, MD2040A



MD2010A, MD2020A, MD2030A, MD2040A

REF	PART NO.	QTY	DESCRIPTION	NOTES
1	861497	1	Kit	
2	(828534)	1	• Vacuum valve	Obsolete part
3	(828533)	1	• • Upper section	Obsolete part
4		2	• • Diaphragm	Included in overhaul kit.
5	828424	2	• • Gasket	Included in overhaul kit.
6	828266	1	• • Lower section	
7	947282	2	• • Gasket	Included in overhaul kit.
8	(861372)	1	• Branch pipe	Obsolete part
9	961667	2	• Hose clamp	
10	952970	X	Hose	
11	961666	X	Hose clamp	
12	3818424	2	Repair kit	(875738)