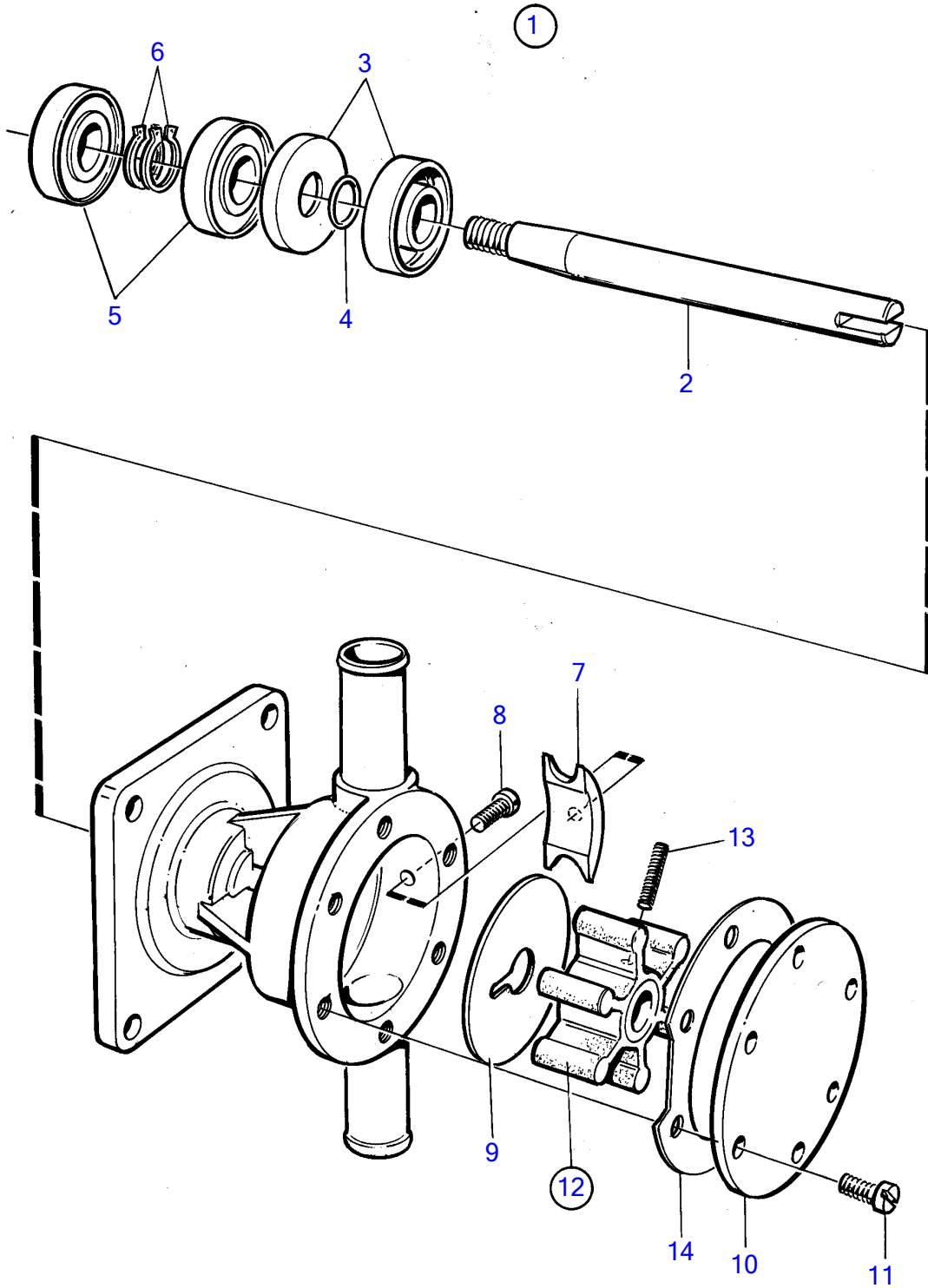


MD2030A



16155

MD2030A

REF	PART NO.	QTY	DESCRIPTION	SEE SEC.	NOTES
1	3580222	1	Sea water pump		Replaced by 3593655
			Bulletin 43-19A	43-19A-EN	New Sea Water Pumps
1	3593655	1	Sea water pump		
			Bulletin 43-19A	43-19A-EN	New Sea Water Pumps
2	(3580909)	1	• Shaft		Obsolete part
3	3580911	2	• Sealing ring		
4	925055	1	• O-ring		
5	181744	2	• Ball bearing		
6	914446	2	• Snap ring		
7	3580914	1	• Cam		
8	860201	1	• Screw		
10	3580916	1	• Cardboard tube		
11	817825	6	• Screw		
12	3593659	1	• Impeller kit		
13	(804697)	1	• • Screw		Obsolete part
14	819959	1	• • Gasket		

7746800-26-2474B

16155

Upd:2012-05-07

MD2010A, MD2020A, MD2030A, MD2040A, MS2B-R, MS2A-D, MS2A-E, MS2L-D, MS2L-E, 120S-D, 120S-E

VOLVO
PENTA