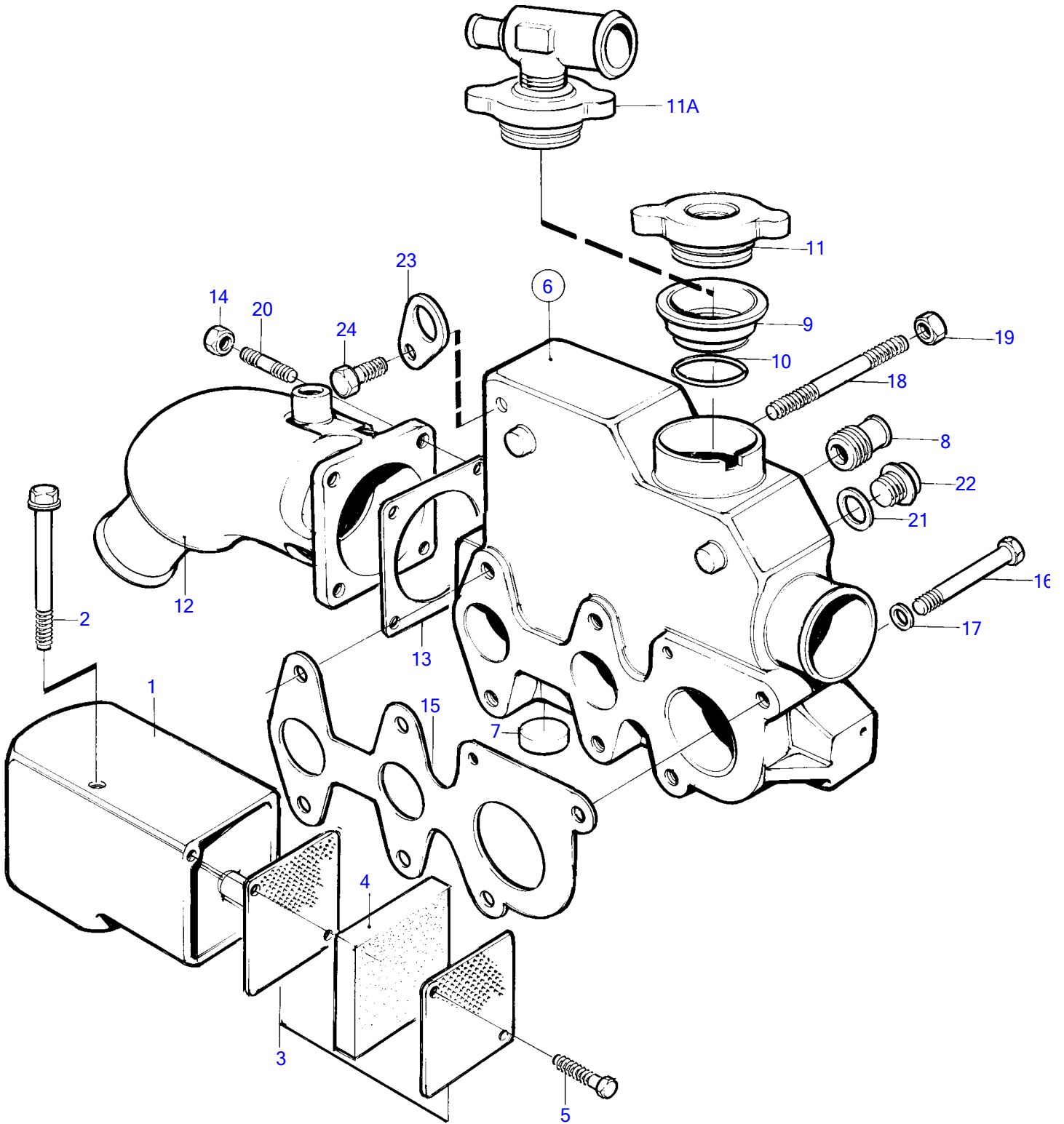


MD2010A



15866

MD2010A

REF	PART NO.	QTY	DESCRIPTION	SEE SEC.	NOTES
1	861898	1	Air inlet		
2	861899	2	Screw		
3	861900	2	Filter retainer		
4	861901	1	Filter		
5	861902	4	Screw		
6	861903	1	Heat exchanger housi		
7	861857	1	• Plug		
8	861904	1	• Tube		
9		1	• Insert		
10		1	• Seal		
11	861905	1	Filler cap		
11A		1	Lock	2507	When separate expansion tank is being used., Alt
12	861906	1	Exhaust riser		
13	861907	1	Gasket		
14	948645	4	Flange lock nut		
15	861909	1	Gasket		
16	861912	4	Screw		
17	861913	4	Spring washer		
18	861914	2	Stud		
19	945407	2	Flange nut		(861915)
20	953042	4	Stud		
21	861917	1	Washer		
22	861918	1	Plug		
23	(861869)	1	Lifting eye		Obsolete part
24	861870	1	Screw		