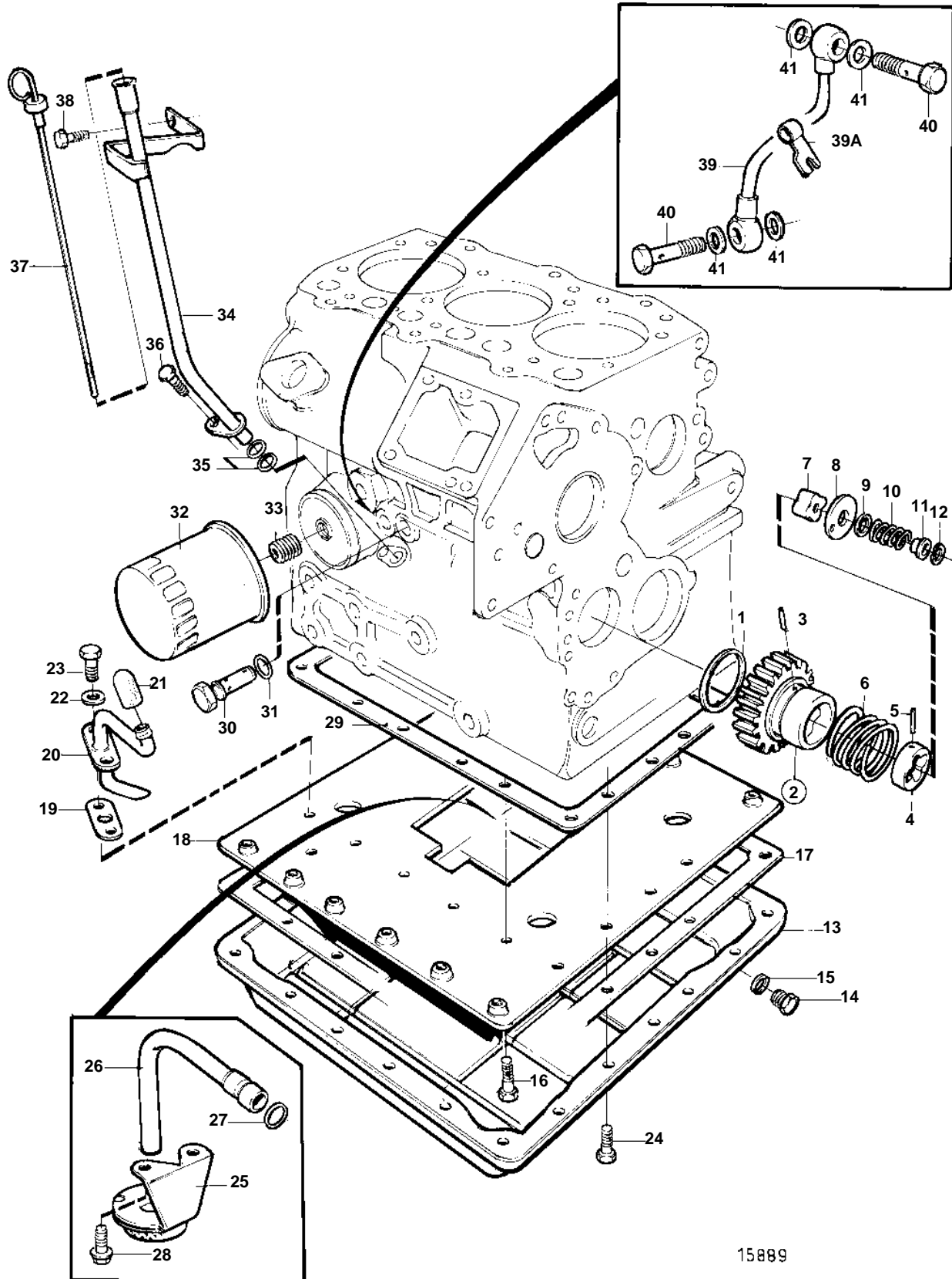


MD2030A



15889

MD2030A

REF	PART NO.	QTY	DESCRIPTION	NOTES
1	861986	1	Thrust washer	
2	3580358	1	Gear	
3		1	· Pin	
4		1	· Rotorouter	
5		1	· Pin	
6	861988	1	· Spring	
7	861989	1	Rotor	
8	861527	1	Cover	
9	861528	X	Shim	TH = 0,10mm
	861529	X	Shim	TH = 0.15mm
	861530	X	Shim	TH=0,20mm
	861531	X	Shim	TH = 0,50mm
10	861532	1	Spring	
11	861533	1	Sleeve	
12	861534	1	Lock ring	
13	3580291	1	Oil pan	
14	861834	1	Plug	
15	861835	1	Gasket	
16	861833	10	Screw	
17	3580292	1	Gasket	
18	3580293	1	Plate	
19	861838	1	Gasket	
20	3580232	1	Tube	
21	1276516	1	Plug	
22	11991	2	Seal	(861841)
23	861842	2	Screw	
24	861842	24	Screw	
25	3580362	1	Strainer	
26	3580361	1	Tube	
27	861997	1	O-ring	
28	861526	2	Screw	
29	3580288	1	Gasket	
30	861829	1	Reducing valve	
31	861830	1	O-ring	
32	861474	1	Oil filter	(3580228)
33	861825	1	Nipple	
34	3580297	1	Tube	
35	861851	2	O-ring	
36	861852	1	Screw	
37	3580298	1	Oil dipstick	
38	861854	1	Screw	
39	3580312	1	Oil pipe	
39A		1	Clamp	
40	861872	2	Hollow screw	
41	11992	4	Gasket	(861868)