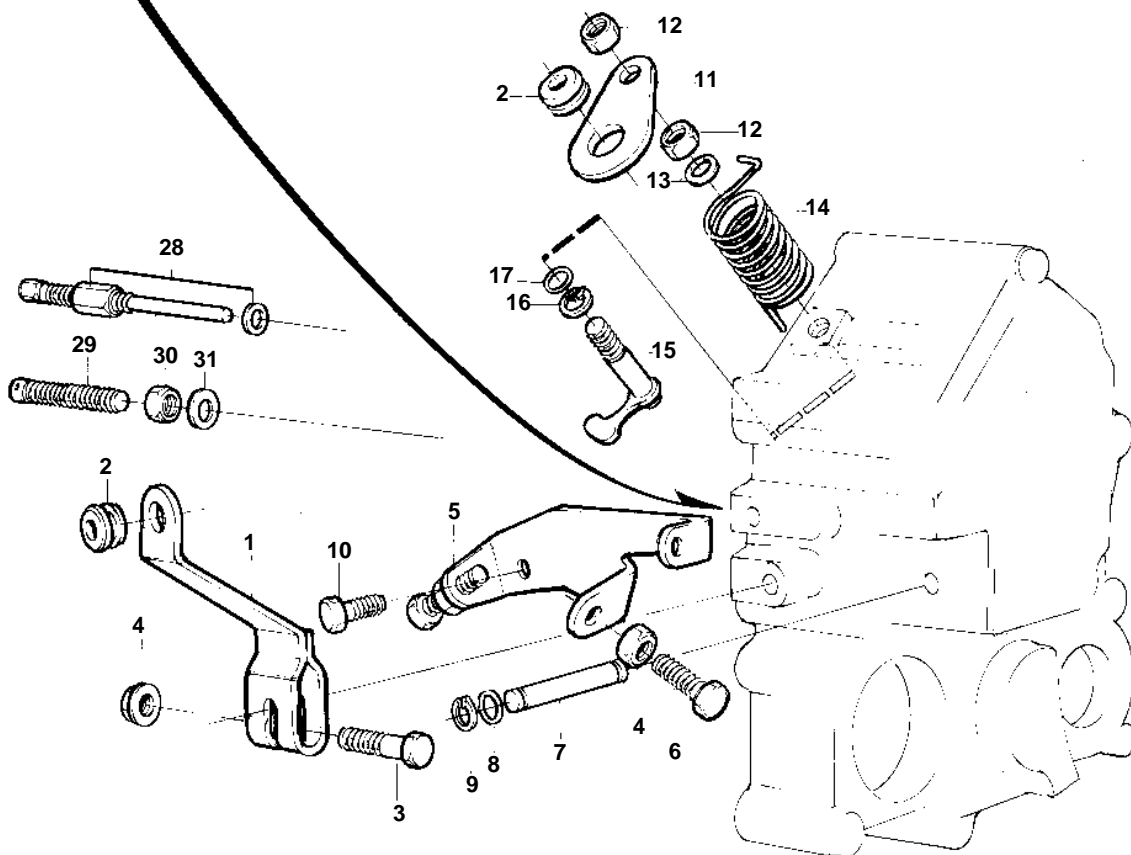
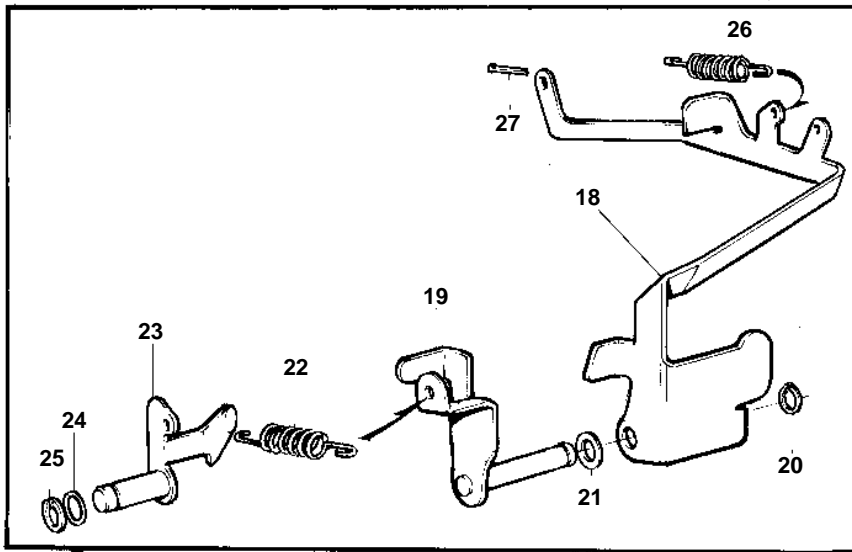


MD2040A



16185

MD2040A

REF	PART NO.	QTY	DESCRIPTION	NOTES
1	3580036	1	Lever, speed control	
2	843109	2	Bushing	
3	3580037	1	Screw	
4	945407	3	Flange nut	(861915)
5	3580042	1	Stay	
6	3580044	2	Screw	
7	3580590	1	Shaft	
8	3580040	1	O-ring	
9	3580041	1	Lock ring	
10	861842	1	Screw	(3580043)
11	3580051	1	Lever, stop	
12	3580050	2	Nut	
13	191172	1	Washer	(3580049)
14	3580048	1	Spring	
15	3580045	1	Arm	
16	3580046	1	Lock ring	
17	3580047	1	O-ring	
18	3580587	1	Lever	
19		1	· Lever	
20	3580030	1	· Lock ring	
21	3580031	1	· Washer	
22	3580589	1	Spring	
23	3580034	1	Arm	
24	3580035	1	O-ring	
25	3580030	1	Lock ring	
26	3580057	1	Spring	
27	3580032	1	Lock pin	
28	3580086	1	Adjusting screw	
29	3580089	1	Screw	
30	3580088	1	Nut	
31	3580087	1	Gasket	