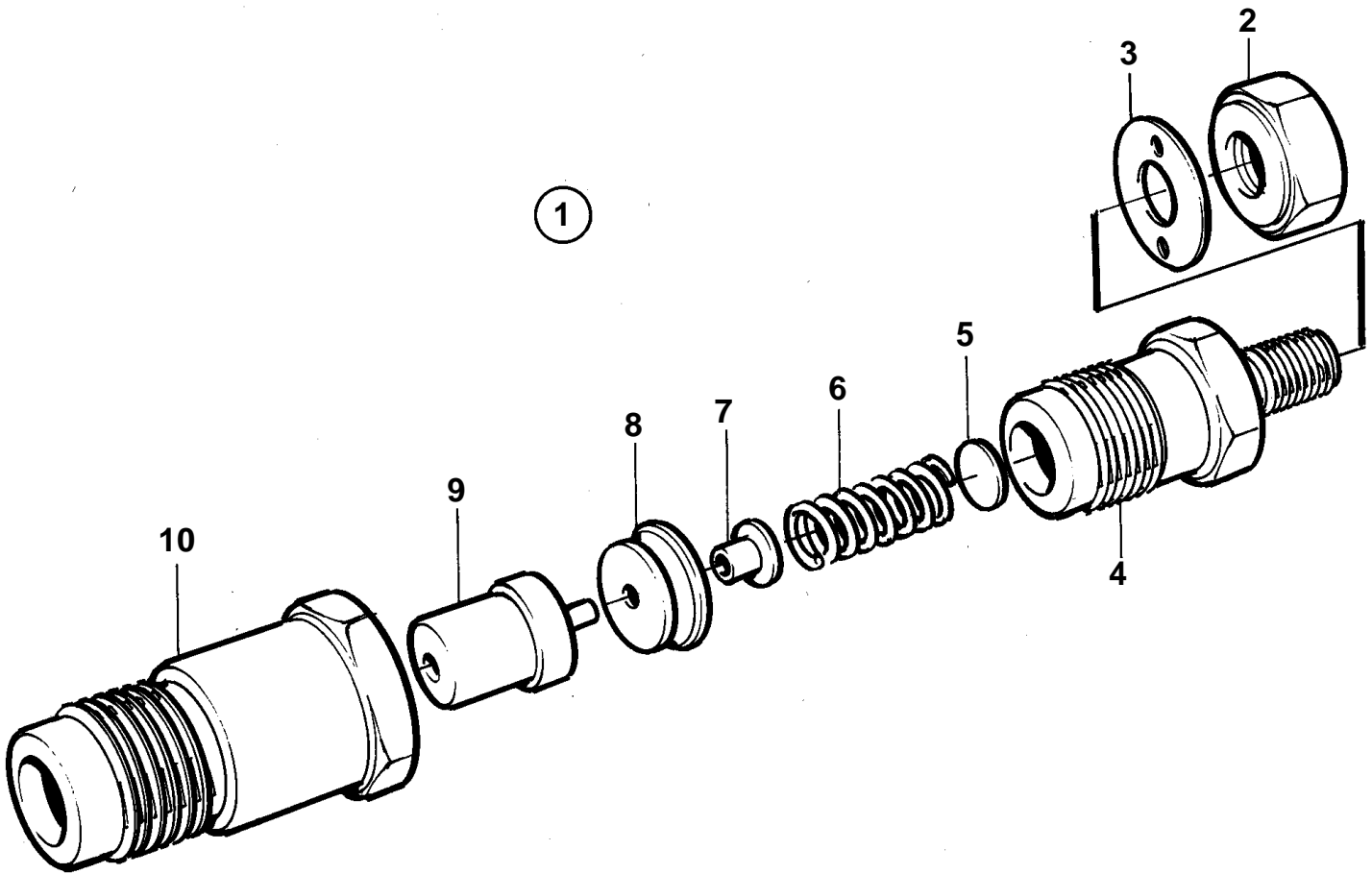


MD2010A, MD2020A



11659

MD2010A, MD2020A

REF	PART NO.	QTY	DESCRIPTION	NOTES
1	3580078	1	Injector	
	3803440	1	Injector, exch	Exchange unit
2	3580158	1	· Nut	
3	3580159	1	· Washer	
4		1	· Retainer	
5	3580161	X	· Shim	TH = 0,90mm
	3580162	X	· Shim	TH = 0,925mm
	3580163	X	· Shim	TH = 0,95mm
	3580164	X	· Shim	TH = 0,975mm
	3580165	X	· Shim	TH = 1,00mm
	3580166	X	· Shim	TH = 1,025mm
	3580167	X	· Shim	TH = 1,05mm
	3580168	X	· Shim	TH = 1,075mm
	3580169	X	· Shim	TH = 1,10mm
	3580170	X	· Shim	TH = 1,125mm
	3580171	X	· Shim	TH = 1,15mm
	3580172	X	· Shim	TH = 1,175mm
	3580173	X	· Shim	TH = 1,20mm
	3580174	X	· Shim	TH = 1,225mm
	3580175	X	· Shim	TH = 1,25mm
	3580176	X	· Shim	TH = 1,275mm
	3580177	X	· Shim	TH = 1,30mm
	3580178	X	· Shim	TH = 1,325mm
	3580179	X	· Shim	TH = 1,35mm
	3580180	X	· Shim	TH = 1,375mm
	3580181	X	· Shim	TH = 1,40mm
	3580182	X	· Shim	TH = 1,425mm
	3580183	X	· Shim	TH = 1,45mm
6	3580184	1	· Spring	
7	3580185	1	· Pressure bolt	
8	3580186	1	· Intermediate section	
9	3580187	1	· Nozzle	
10		1	· Nut	