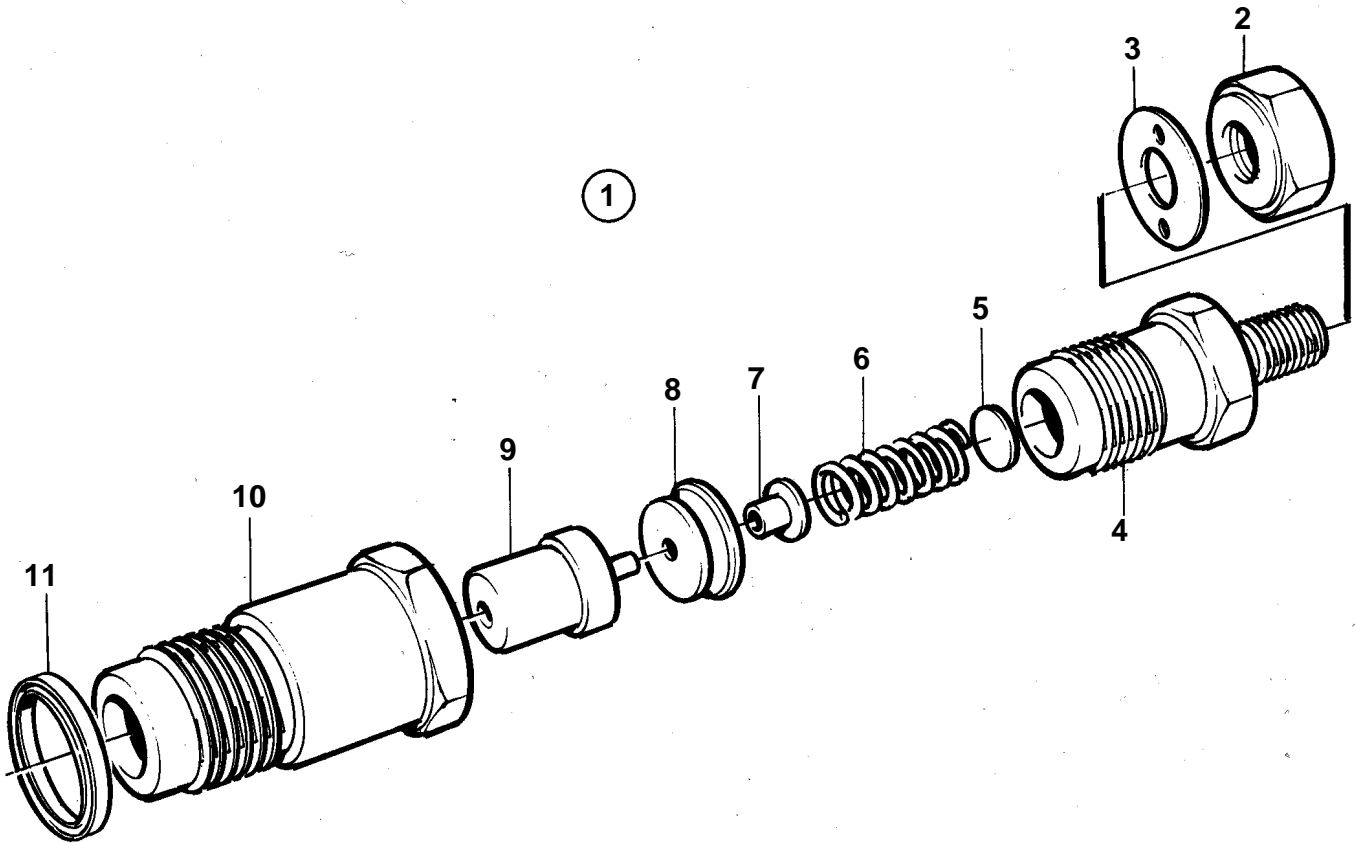


MD2030A



16131

MD2030A

REF	PART NO.	QTY	DESCRIPTION	NOTES
1	3580386	1	Injector	
	3803441	1	Injector, exch	Exchange unit
2	3580404	1	· Nut	
3	3580159	1	· Washer	
4		1	· Retainer	
5	3580406	X	· Shim	TH = 1,00mm
	3580407	X	· Shim	TH = 1,05mm
	3580408	X	· Shim	TH = 1,10mm
	3580409	X	· Shim	TH = 1,15mm
	3580410	X	· Shim	TH = 1,20mm
	3580411	X	· Shim	TH = 1,25mm
	3580412	X	· Shim	TH = 1,30mm
	3580413	X	· Shim	TH = 1,35mm
	3580414	X	· Shim	TH = 1,40mm
	3580415	X	· Shim	TH = 1,45mm
	3580416	X	· Shim	TH = 1,50mm
	3580417	X	· Shim	TH = 1,55mm
	3580418	X	· Shim	TH = 1,60mm
	3580419	X	· Shim	TH = 1,65mm
	3580420	X	· Shim	TH = 1,70mm
	3580421	X	· Shim	TH = 1,75mm
	3580422	X	· Shim	TH = 1,80mm
	3580423	X	· Shim	TH = 1,85mm
	3580424	X	· Shim	TH = 1,90mm
6	3580425	1	· Spring	
7	3580426	1	· Pressure bolt	
8	3580427	1	· Intermediate section	
9	3580428	1	· Nozzle	
10		1	· Nut	
11	3580430	1	Gasket	