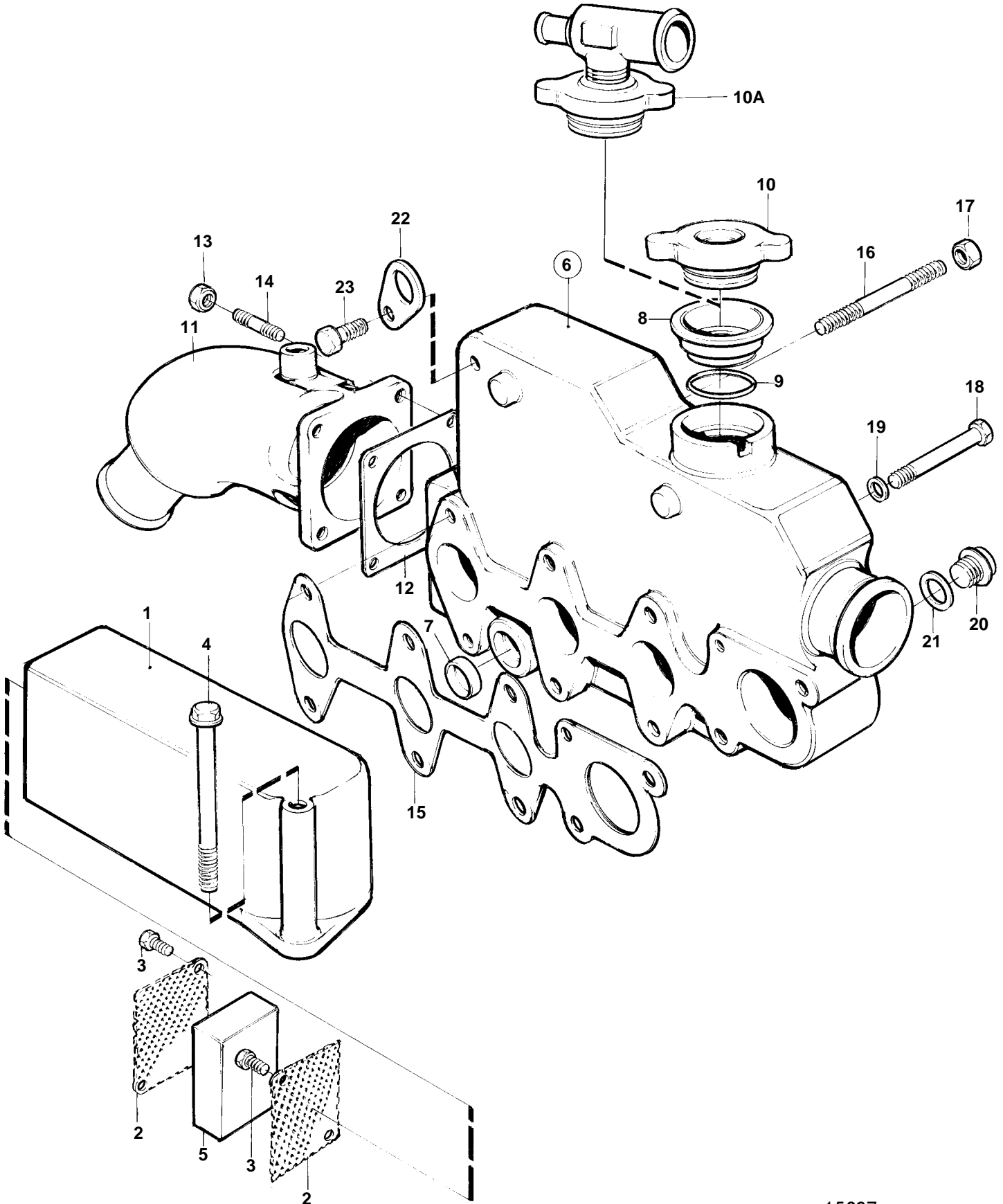


MD2020A



15867

MD2020A

REF	PART NO.	QTY	DESCRIPTION	NOTES
1	3580242	1	Air inlet	
2	861900	2	Retainer	
3	861902	4	Screw	
4	861899	2	Flange screw	
5	861901	1	Filter	
6	3580244	1	Heat exchanger housi	
7	861857	1	· Plug	
8		1	· Insert	
9		1	· Sealing ring	
10	861905	1	Cover	
10A		1	Cover	ALT. When separate expansion tank is being used.
11	861906	1	Exhaust riser	
12	861907	1	Gasket	
13	948645	4	Lock nut	
14	953042	4	Stud	
15	3580245	1	Gasket	
16	861914	2	Stud	
17	945407	2	Flange nut	(861915)
18	3580246	2	Screw	
	861912	4	Screw	
19	861913	6	Spring washer	
20	861918	1	Plug	
21	861917	1	Gasket	
22		1	Lifting eye	
23	861870	1	Screw	