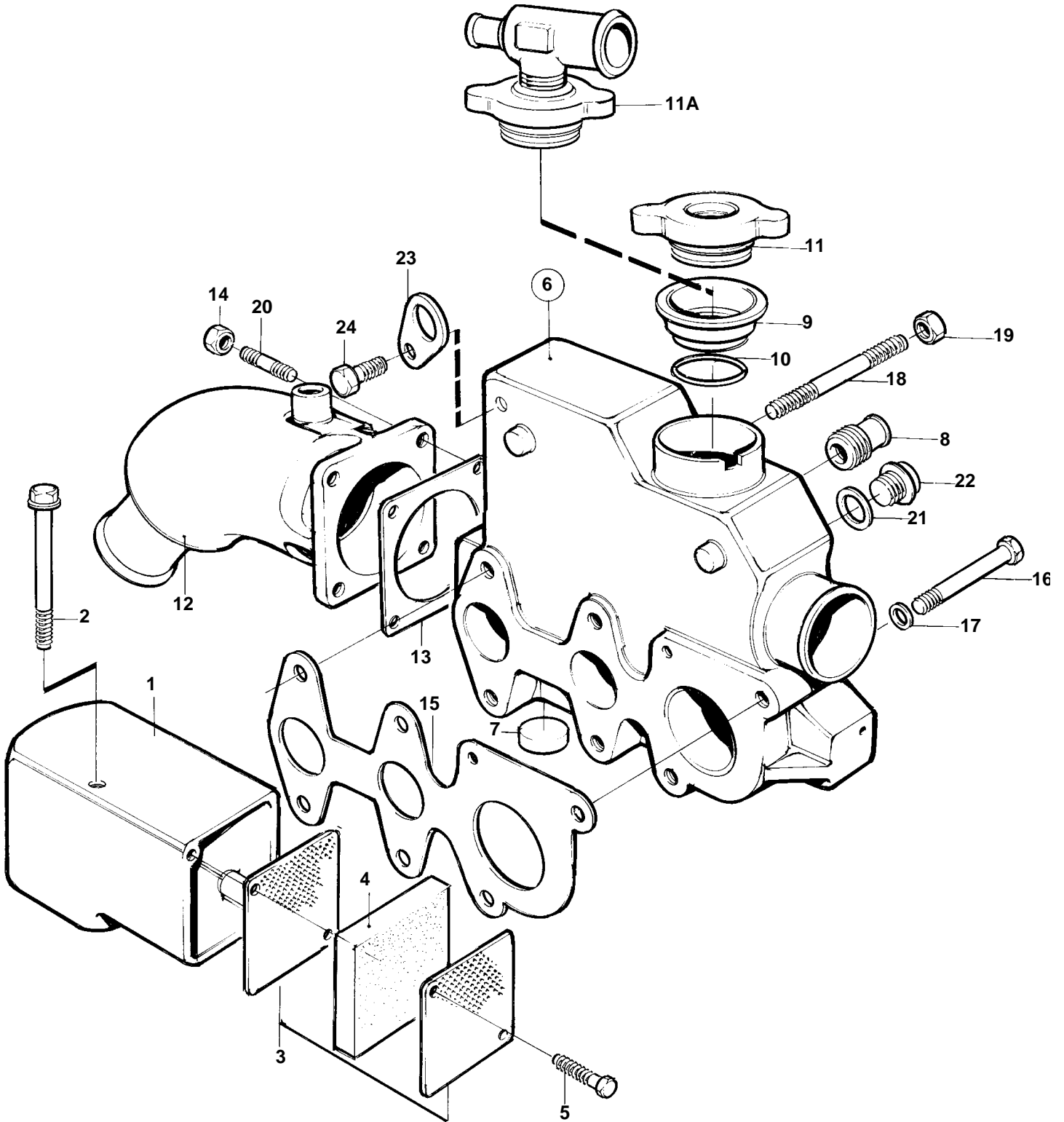


MD2010A



15866

MD2010A

REF	PART NO.	QTY	DESCRIPTION	NOTES
1	861898	1	Air inlet	
2	861899	2	Flange screw	
3	861900	2	Retainer	
4	861901	1	Filter	
5	861902	4	Screw	
6	861903	1	Heat exchanger housi	
7	861857	1	• Plug	
8	861904	1	• Tube	
9		1	• Insert	
10		1	• Seal	
11	861905	1	Cover	
11A		1	Cover	ALT. When separate expansion tank is being used.
12	861906	1	Exhaust riser	
13	861907	1	Gasket	
14	948645	4	Lock nut	
15	861909	1	Gasket	
16	861912	4	Screw	
17	861913	4	Spring washer	
18	861914	2	Stud	
19	945407	2	Flange nut	(861915)
20	953042	4	Stud	
21	861917	1	Gasket	
22	861918	1	Plug	
23		1	Lifting eye	
24	861870	1	Screw	