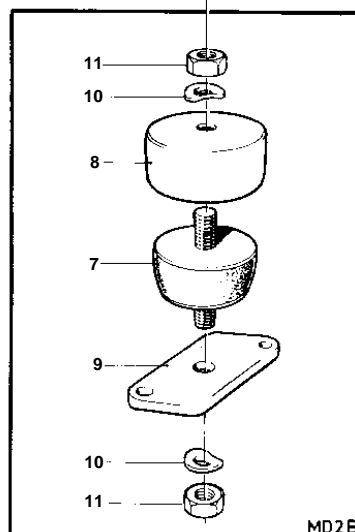
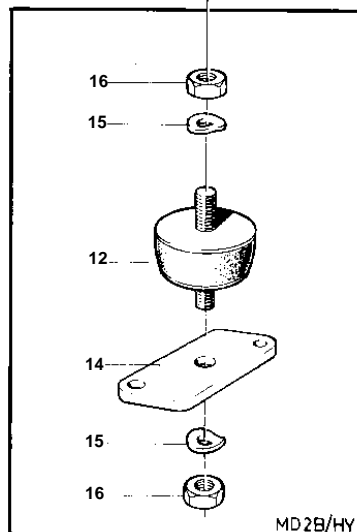
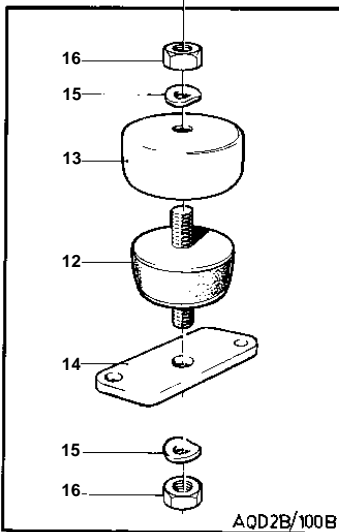
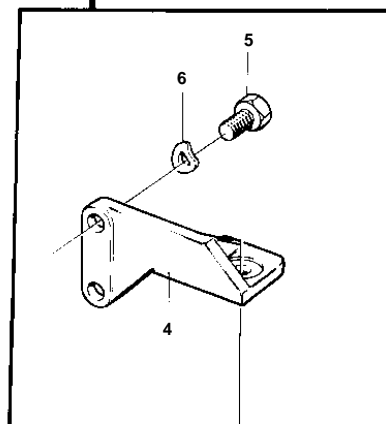
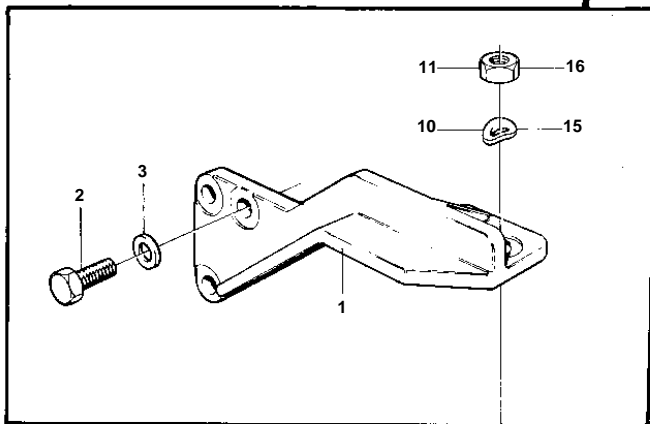
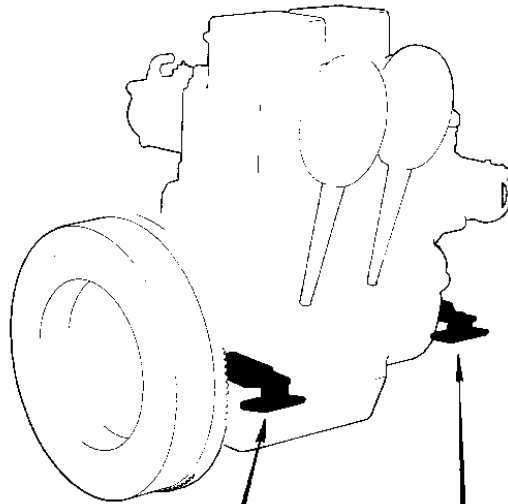


MD2B,MD2B/HY,AQD2B



MD2B,MD2B/HY,AQD2B

| REF | PART NO. | QTY | DESCRIPTION | NOTES |
|-----|----------|-----|----------------|--|
| 1 | 833575 | 1 | Bracket | S.B. WIDE BRACKETS.. MD2B SPEC 867143, 867144, 867145. MD2B/HY SPEC 867120, 867151. AQD2B SPEC 867105, 867152. |
| 1 | 833576 | 1 | Bracket | P. WIDE BRACKETS.. SPEC 867122, 867230.. MD2B SPEC 867143, 867144, 867145. MD2B/HY SPEC 867120, 867151. AQD2B SPEC 867105, 867152. |
| 2 | 955322 | 4 | Screw | L = 50 MM |
| | 955318 | 2 | Screw | L = 30 MM. NARROW BRACKETS.. SPEC 867007, 867008, 867012, 867094.. MD2B SPEC 867143, 867144, 867145. MD2B/HY SPEC 867120, 867151. AQD2B SPEC 867105, 867152. |
| 3 | 946075 | 6 | Washer | |
| 4 | 833540 | 1 | Bracket | S.B |
| 4 | 833541 | 1 | Bracket | P. WIDE BRACKETS.. MD2B SPEC 867122, 867143, 867144, 867145, 867230. |
| 5 | 955317 | 2 | Screw | L = 25 MM |
| | 955332 | 1 | Screw | L = 120 MM |
| | 192357 | 1 | Screw | L = 115 MM |
| 6 | 941908 | 2 | Spring washer | |
| | 940109 | 2 | Lock washer | |
| 12 | 833720 | 4 | Rubber cushion | |
| 14 | 833571 | 4 | Bracket | |
| 15 | 940280 | 8 | Spring washer | |
| 16 | 955850 | 8 | Nut | |