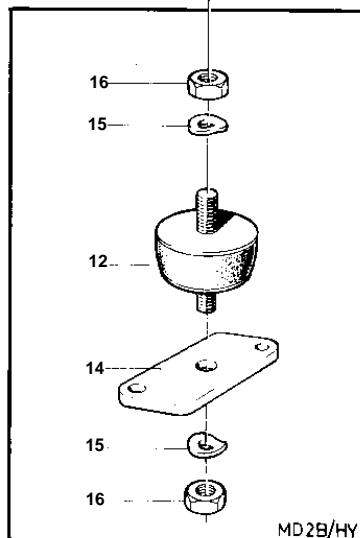
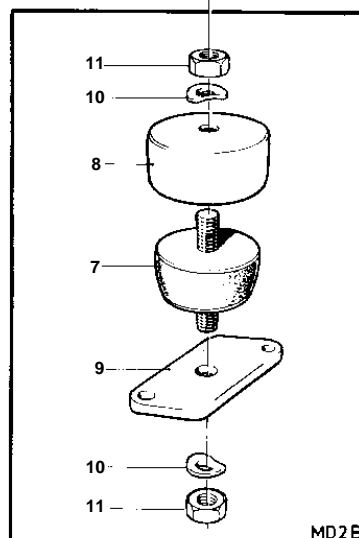


AQD2B/100B



MD2B/HY



MD2B

4515

REF	PART NO.	QTY	DESCRIPTION	NOTES
1	833575	1	Bracket	S.B. WIDE BRACKETS.. MD2B SPEC 867143, 867144, 867145. MD2B/HY SPEC 867120, 867151. AQD2B SPEC 867105, 867152.
1	833576	1	Bracket	P. WIDE BRACKETS.. SPEC 867122, 867230.. MD2B SPEC 867143, 867144, 867145. MD2B/HY SPEC 867120, 867151. AQD2B SPEC 867105, 867152.
2	955322	4	Screw	L = 50 MM
	955318	2	Screw	L = 30 MM. NARROW BRACKETS.. SPEC 867007, 867008, 867012, 867094.. MD2B SPEC 867143, 867144, 867145. MD2B/HY SPEC 867120, 867151. AQD2B SPEC 867105, 867152.
3	946075	6	Washer	
12	833720	2	Rubber cushion	
13	807228	2	Sleeve	
14	833571	2	Bracket	
15	940280	4	Spring washer	
16	955850	4	Nut	