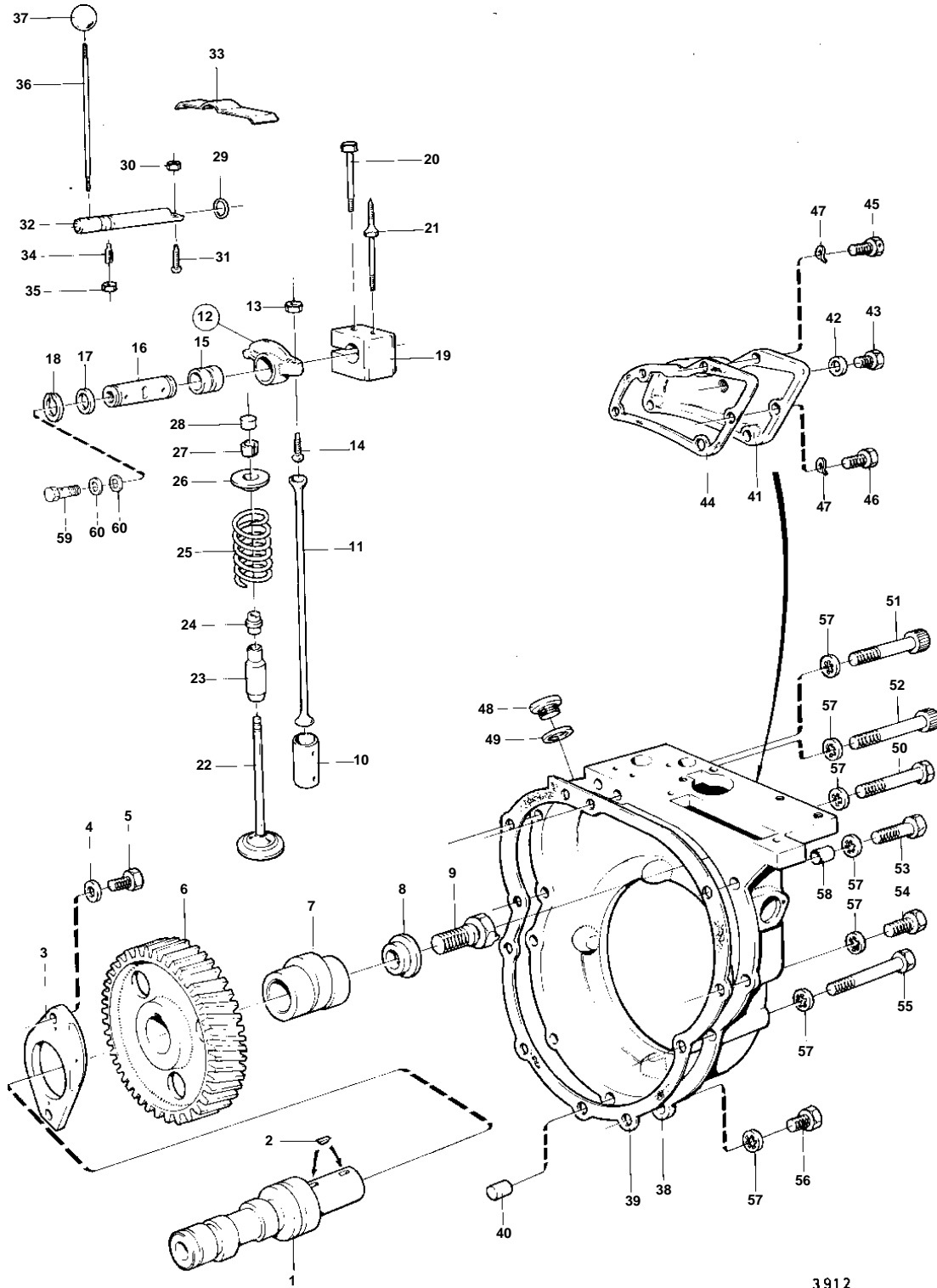


MD1B



3 912

## MD1B

REF	PART NO.	QTY	DESCRIPTION	SEE SEC.	NOTES
1	833162	1	Camshaft		
2	910121	2	Key		
3	405079	1	Flange		
4	15256	2	Washer		
5	955296	2	Screw		
6	405026	1	Gear		
7	833485	1	Cam disc		
8	803348	1	Washer		
9	807031	1	Screw		
10	807393	2	Tappet		
11	403130	2	Push rod		
12	403561	1	Rocker arm, INTAKE		
	803247	1	Rocker arm, EXHAUST		
13	955800	2	· Lock nut		
14	403155	2	· Ball stud		
15	18146	2	· Bushing		
16	833222	1	Shaft		
17	191173	4	Adjusting washer		TH = 0,7 MM
18	914452	2	Lock ring		
19	833223	1	Bearing bracket		
20	955300	1	Screw		
21	833569	1	Stud	02A-1550	
22	833188	1	Valve		
	829620	1	Valve		EARLY TYPE OF EXHAUST VALVE + VALVE SEAL IS REPLACED BY 829620.
23	419653	1	Valve guide, INTAKE	02A-1550	
	829867	1	Guide sleeve, EXHAUST	02A-1550	
24	1306630	1	Valve seal, INTAKE		(833347)
25	829622	2	Valve spring		(403387)
26	403314	2	Washer		
27	403315	4	Lock		
28	896580	2	Valve cap	IK	
29	925053	1	O-ring	IK	
30	955800	1	Lock nut		
31	403155	1	Ball stud		
32		1	SHAFT		MO-18708. REPLACED BY 1EA 833499 + 1EA 945292 + 1EA 940344.
	833499	1	Shaft		MO 18709-
33	803604	1	Spring		
34	919118	1	Set screw		
35	955781	1	Nut		
36	897390	1	Screw		MO-18708
	945292	1	Stud		MO 18709-
37	807042	1	Ball		MO-18708
	940344	1	Ball		MO 18709-
38	833183	1	Timing gear casing		
39	803360	1	Gasket	IK	
40	950586	2	Pin	02A-0400	
41		1	COVER		MO-22018. REPLACED BY 1EA 833766 + 1EA 957175 + 1EA 16322.
	833766	1	Hatch		MO 22019-
42	957175	1	Gasket	IK	MO 22019-
43	16322	1	Plug		MO 22019-
44	897327	1	Gasket	IK	
45	192356	1	Screw		
46	955273	4	Screw		
47	941906	5	Spring washer		
48		1	PLUG		MO-18791. REPLACED BY 1EA 833511 + 1EA 807363.
	833511	1	Plug		MO 18792-20599
	833496	1	Plug		MO 20600-
49	925065	1	O-ring	IK	MO-18791
	807363	1	Sealing ring		MO 18792-20599
	957191	1	Gasket	IK	MO 20600-

## MD1B

REF	PART NO.	QTY	DESCRIPTION	SEE SEC.	NOTES
50	192357	1	Screw		L = 115 MM
51	945295	1	Screw		L = 110 MM
52	943795	1	Screw		L = 130 MM
53	946408	1	Screw		L = 75 MM
54	955324	1	Screw		L = 60 MM
55	955332	1	Screw		L = 120 MM
56	955318	2	Screw		L = 30 MM
57	940109	8	Lock washer		
58	943835	1	Plug		
59	74033	1	Hollow screw	02A-1800	
60	957171	2	Gasket	IK	