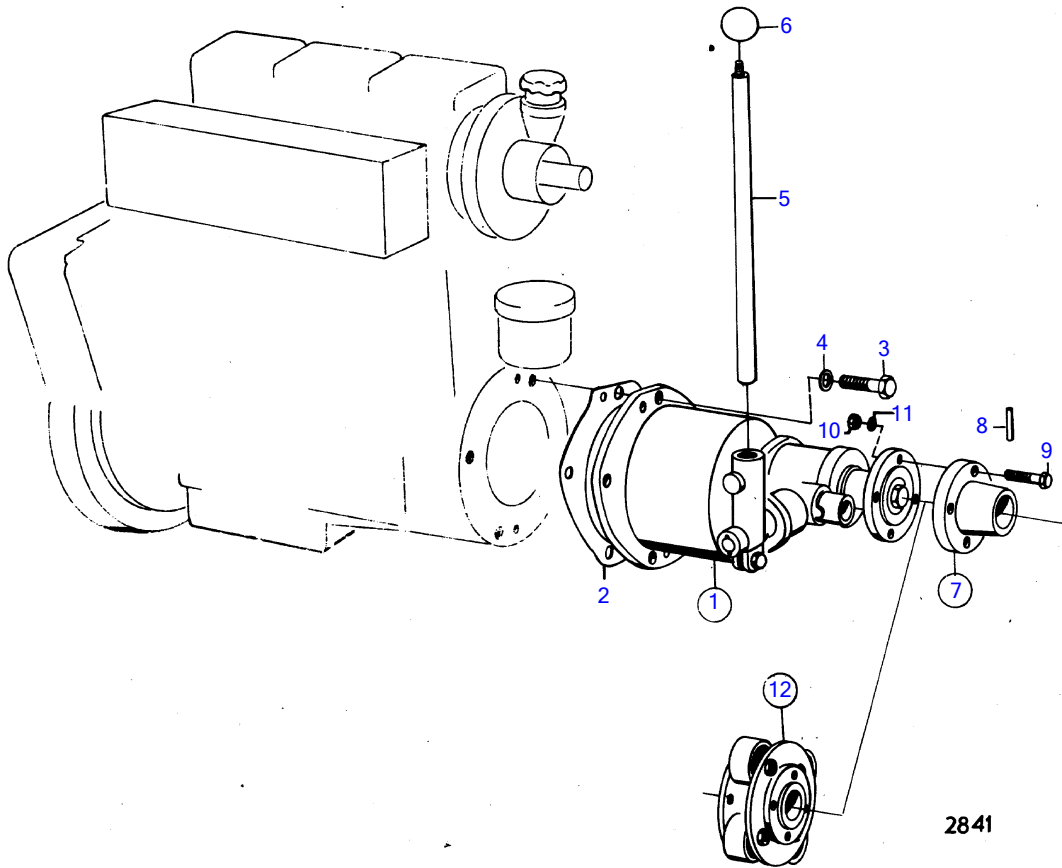


MD1B, MD2B, MD3B



MD1B, MD2B, MD3B

REF	PART NO.	QTY	DESCRIPTION	NOTES
1	(804743)	1	Friction clutch • components	Obsolete part See group 4D
2	803227	1	Gasket	
3	955319	4	Hexagon screw	
4	941908	4	Spring washer	
5	(802743)	1	Control lever	Obsolete part
6	(60544)	1	Handle	Obsolete part
7	(806385)	1	Clutch flange	30mm hole for propeller shaft., Obsolete part
8	907599	1	• Taper pin	
9	955319	4	• Hexagon screw	
10	955783	4	• Hexagon nut	
11	941908	4	• Spring washer	
12		1	flexible coupling	See group 4D