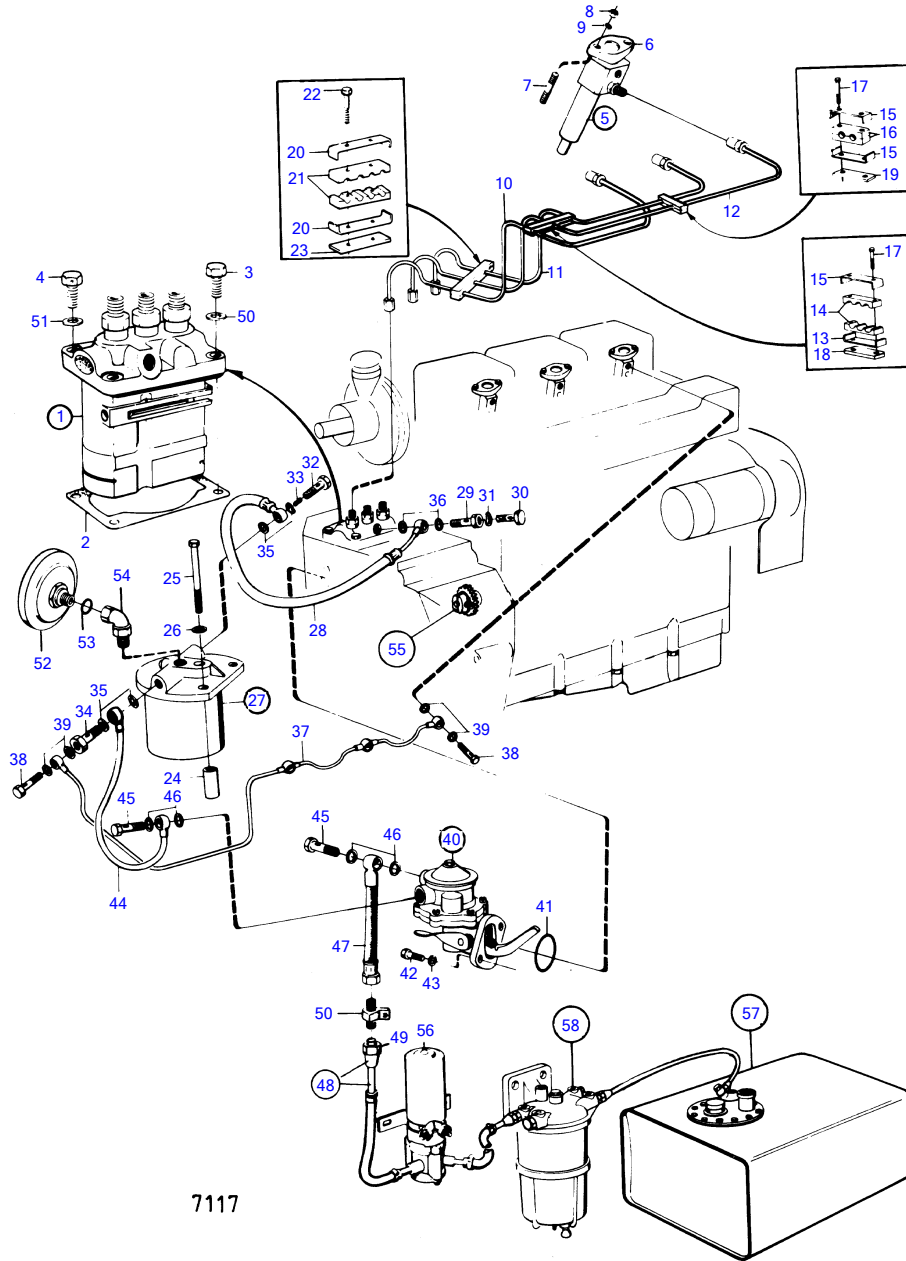


MD3B



7117

MD3B

REF	PART NO.	QTY	DESCRIPTION	SEE SEC.	NOTES
1		1			Replaced by 833742., MO-2275
			.	13775	
	833742	1	Injection pump		MO 2276-
			.	13775	
2	833048	X	Gasket		
3	955296	3	Hexagon screw		
4	(103155)	1	Screw		Obsolete part
5	833191	3	Injector		
			.	13776	
6	(803334)	3	Attaching plate		Obsolete part
7	(952991)	6	Stud		Obsolete part
8	955782	6	Hexagon nut		
9	955894	6	Washer		
10	(833123)	1	Delivery pipe		Obsolete part
11	(833124)	1	Delivery pipe		Obsolete part
12	(833125)	1	Delivery pipe		Obsolete part
13	414346	2	Attaching clamp		
14	414347	2	Attaching clamp		
15	414344	2	Attaching clamp		
16	414345	2	Rubber spacer		
17	955247	4	Hexagon screw		
18	414735	1	Nut plate		
19	414736	1	Nut plate		
20	(414349)	2	Rubber spacer		Obsolete part
21	(414348)	2	Attaching clamp		Obsolete part
22	955247	2	Hexagon screw		
23	(821007)	2	Nut plate		Obsolete part
24	(833111)	2	Spacer sleeve		Obsolete part
25	955327	2	Hexagon screw		
26	941908	2	Spring washer		
27	(803323)	1	Fuel filter		Replaced by 840532., Obsolete part
	840532	1	Fuel filter		
			.	13779	
28	833365	1	Fuel hose		
29	803658	1	Hollow screw		
30	240664	1	Bleeder screw		(233017)
31	11991	1	Gasket		
32	807058	1	Hollow screw		
33	807059	1	Nozzle		
34	16496	1	Hollow screw		
35	957178	4	Gasket		
36	11994	2	Gasket		
37	(833128)	1	Leak-off pipe		Obsolete part
38	74033	4	Hollow screw		
39	957171	8	Gasket		
40	833323	1	Fuel pump		
			Bulletin P-23-3-2	P-23-3-2-EN	New Fuel Pump as Spare Part
40			.	13777	
41	942353	1	O-ring		
42	942001	2	Hex. socket screw		
43	941906	2	Spring washer		
44	(833121)	1	Tube		Obsolete part
45	25167	2	Hollow screw		
46	957178	4	Gasket		
47	840263	1	Fuel hose		(807074) repl by 840263
48	(829744)	1	Hose connection		Obsolete part
49	807061	1	• Cap nut		
50	833922	1	Joint nipple		
51	11992	4	Gasket		
52	466398	1	Pressure equalizer		
53	957178	1	Gasket		
54	(829731)	1	Elbow nipple		Obsolete part
55		1	governor and installation components	13770	

