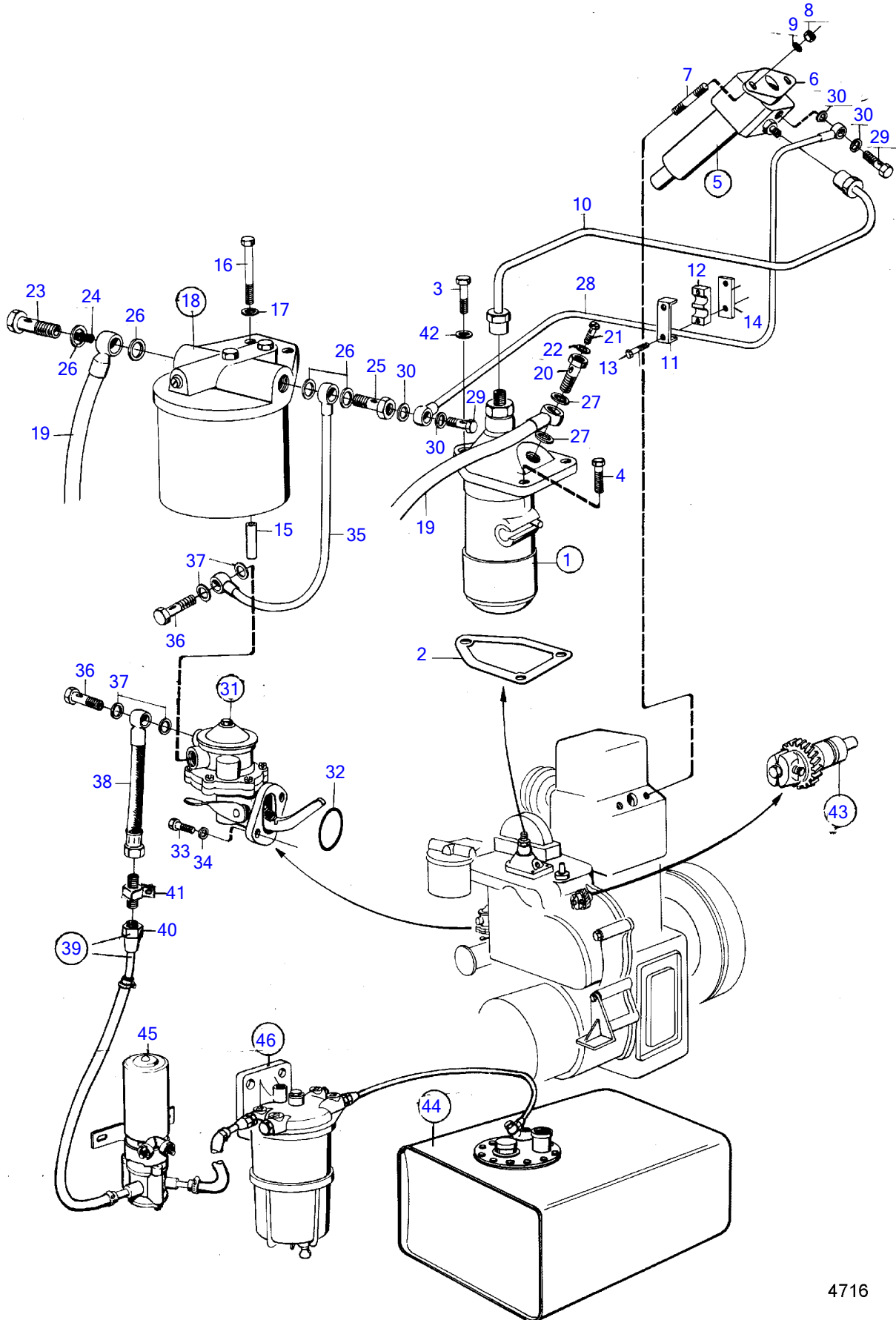


MD1B



4716

MD1B

REF	PART NO.	QTY	DESCRIPTION	SEE SEC.	NOTES
1	(833187)	1	Injection pump		Replaced by 833740., Obsolete part
			.	13773	
	(833740)	1	Injection pump		MO 20471-, Obsolete part
			.	13773	
2	803520	X	Gasket		
3	955296	2	Hexagon screw		
4	(103155)	1	Screw		Obsolete part
5	833191	1	Injector		
			.	13776	
6	(803334)	1	Attaching plate		Obsolete part
7	(952991)	2	Stud		Obsolete part
8	955782	2	Hexagon nut		
9	955894	2	Washer		
10	(833196)	1	Delivery pipe		Obsolete part
11	414344	2	Attaching clamp		
12	414345	2	Rubber spacer		
13	955247	4	Hexagon screw		
14	414736	1	Nut plate		
15	(803657)	2	Spacer sleeve		Obsolete part
16	955324	2	Hexagon screw		
17	941908	2	Spring washer		
18	(803323)	1	Fuel filter		Replaced by 840532., Obsolete part
			.	13778	
	840532	1	Fuel filter		
			.	13779	
19	833346	1	Fuel hose		
20	803658	1	Hollow screw		
21	240664	1	Bleeder screw		(233017)
22	11991	1	Gasket		
23	807058	1	Hollow screw		
24	807059	1	Nozzle		
25	16496	1	Hollow screw		
26	957178	4	Gasket		
27	11994	2	Gasket		
28	(833201)	1	Leak-off pipe		Obsolete part
29	74033	2	Hollow screw		
30	957171	4	Gasket		
31	833323	1	Fuel pump		
			Bulletin P-23-3-2	P-23-3-2-EN	New Fuel Pump as Spare Part
31			.	13777	
32	942353	1	O-ring		
33	940326	2	Hex. socket screw		
34	941906	2	Spring washer		
35	(897412)	1	Tube		Obsolete part
36	25167	2	Hollow screw		
37	957178	4	Gasket		
38	840263	X	Fuel hose		(807074) repl by 840263
39	(829744)	1	Hose connection		Obsolete part
40	807061	1	• Cap nut		
41	833922	1	Joint nipple		
42	11992	3	Gasket		
43			governor and installation components	13769	
44			fuel tank		See group 9
45			• el. fuel pump		See group 9
46			water separator	13768	